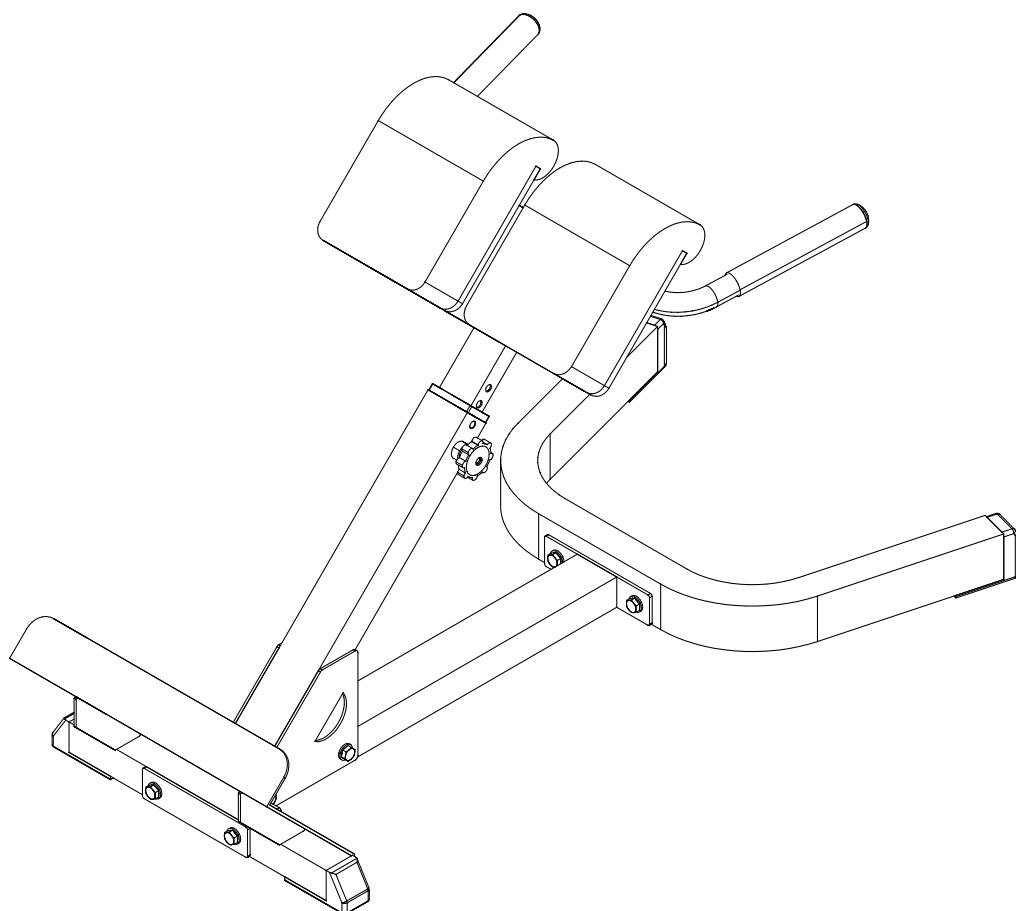


Body-Solid[®]
Built for Life



GHYP-345

Assembly

Instructions

OWNER'S

&

MANUAL

Warning, Safety & Maintenance

Be sure that all users carefully read and understand all warning, safety and maintenance labels on the machine before each use. Failure to do so may result in death or serious injury.

It is imperative that you retain this Owner's Manual and be sure all warning labels are legible and intact. Replacement Owner's Manuals and warning labels are available from your local Body-Solid dealer.

If you have any questions about the operation, set up or maintenance of this machine please call our customer service department at 1 (800) 556-3113.

THERE IS A RISK ASSUMED BY INDIVIDUALS WHO USE THIS TYPE OF EQUIPMENT. TO MINIMIZE RISK, YOU MUST FOLLOW THESE RULES:

1. Inspect equipment before each workout. Check that all nuts, bolts, screws and pop pins are in place and fully tightened. Also, before use, check cables for signs of wear. Replace all worn parts immediately. Never use machine if any parts are damaged or missing. **FAILURE TO FOLLOW THESE RULES MAY RESULT IN SERIOUS INJURY.**
2. Keep clear of the cables and all moving parts when the machine is in use.
3. Always make sure all Snap Links are closed when doing any cable/pulley/strap exercises.
4. Exercise with care. Perform your exercises at a smooth moderate pace; never perform jerky or uncoordinated movements that may cause injury.
5. It is recommended that you should workout with a training partner.
6. Do not allow children or minors to play on or around this equipment.
7. If unsure of proper use of equipment, call your local Body-Solid distributor or the Body-Solid customer service department at 1-800-556-3113.
8. **WARNING:** Consult your physician before starting your exercise program. For your own safety, do not begin any exercise program without proper instruction. RAL3-0-01 WCF-54

MAINTENANCE SCHEDULE		D A I L Y	W E E K L Y
Check the function and integrity of the following components. As noted, inspect equipment before each workout. Replace all damaged, broken or worn components immediately.			
Cables:	Check tension, and fittings, and coating	✓	
	Check for loading out of weight stack slings		✓
Upholstery:	Wipe down and dry	✓	
	Clean and condition		✓
Frame:	Wipe down and dry	✓	
	Polish/Wax		✓
Chrome:	Wipe down and dry	✓	
	Polish/Lubricate		✓
Nuts / Bolts / Fasteners:	Tighten and/or adjust as needed		✓
Guide Rods:	Lubricate and clean		✓
Ureter Rods:	Lubricate and clean		✓
Seat Sleeves:	Lubricate and clean		✓
Adjustments / Locking Pins / Tumbling Knobs			✓
Weight Stack Pins			✓
Warning Instruction Labels			✓
Springs / Pop Pins		✓	
Anti-Skid Surfaces			✓
Hand Grips / Rollers			✓

For Body-Solid Customer Service, Call 1-800-556-3113

Table of Contents

- SAFETY INSTRUCTIONS..... PAGE 4
- PREPARATION..... PAGE 5
- HARDWARE LIST..... PAGE 6
- HARDWARE ILLUSTRATION..... PAGE 7
- PART / LIST ILLUSTRATION..... PAGE 10
- ASSEMBLY INSTRUCTIONS..... PAGE 12
- EXPLODED VIEW..... PAGE 19
- CONTACT PAGE..... PAGE 20

Important Safety Instructions

Before beginning any fitness program, you should obtain a complete physical examination from your physician.

*Il est conseillé de subir un examen médical complet avant d'entreprendre tout programme d'exercice.
Si vous avez des étourdissements ou des faiblesses, arrêtez les exercices immédiatement.*

Antes de comenzar cualquier programa de ejercicios, deberías tener un examen físico con su doctor.

When using exercise equipment, you should always take basic precautions, including the following:

- Read all instructions before using the GHYP-345. These instructions are written to ensure your safety and to protect the unit.
- Do not allow children on or near the equipment.
- Use the equipment only for its intended purpose as described in this guide. Do not use accessory attachments that are not recommended by the manufacturer. Such attachments might cause injuries.
- Wear proper exercise clothing and shoes for your workout, no loose clothing.
- Use care when getting on or off the unit.
- Do not overexert yourself or work to exhaustion.
- If you feel any pain or abnormal symptoms, stop your workout immediately and consult your physician.
- Never operate unit when it has been dropped or damaged. Return the equipment to a service center for examination and repair.
- Never drop or insert objects into any opening in the equipment.
- Always check the unit and its cables before each use. Make sure that all fasteners and cables are secure and in good working condition.
- Do not use the equipment outdoors or near water.

Personal Safety During Assembly

- Before beginning assembly, please take the time to read the instructions thoroughly.
- Read each step in the assembly instructions and follow the steps in sequence. Do not skip ahead. If you skip ahead, you may learn later that you have to disassemble components and that you may have damaged the equipment.
- Assemble and operate the GHYP-345 on a solid level surface. Locate the unit a few feet from the walls or furniture to provide easy access.

The GHYP-345 is designed for your enjoyment. By following these precautions and using common sense, you will have many safe and pleasurable hours of healthful exercise with your Body-Solid GHYP-345.

After assembly, you should check all functions to ensure correct operation. If you experience problems, first recheck the assembly instructions to locate any possible errors made during assembly. If you are unable to correct the problem, call the dealer from whom you purchased the machine or call 1-800-556-3113 for the dealer nearest you.

Obtaining Service

Please use this Owner's Manual to make sure that all parts have been included in your shipment. When ordering parts, you must use the part number and description from this Owner's Manual. Use only Body-Solid replacement parts when servicing this machine. Failure to do so will void your warranty and could result in personal injury.

For information about product operation or service, check out the official Body-Solid website at www.bodysolid.com or contact an authorized Body-Solid dealer or a Body-Solid factory-authorized service company or contact Body-Solid customer service at one of the following:

Toll Free: 1-800-556-3113
Phone: 1-708-427-3555
Fax: 1-708-427-3556
Hours: M-F 8:30-5:00 CST
E-Mail: service@bodysolid.com

Or write to: Body-Solid, Inc.
Service Department
1900 S. Des Plaines Ave.
Forest Park, IL 60130 USA

Retain this Owner's Manual for future reference. If you need to order replacement parts please be prepared to provide the following information when contacting us so that we can assist you better.

- 1. Model Number**
- 2. Place of Purchase**
- 3. Serial Number (S/N)**
- 4. Part # and Description**

Before You Begin

Thank you for purchasing the GHYP-345. This bench is part of the Body-Solid line of quality strength training machines, which lets you target specific muscle groups to achieve better muscle tone and overall body conditioning. To maximize your use of the equipment please study this Owner's Manual thoroughly.

Required Tools

The basic tools that you must obtain before assembling the GHYP-345 include but are not limited to:

- Metric Allen Key Set
- Standard Allen Key Set
- Standard Wrench Set
- Metric Wrench Set
- Adjustable Wrench
- Screwdriver (standard and/or phillips)
- Rubber Mallet

Installation Requirements

Follow these installation requirements when assembling the GHYP-345:

Set up the GHYP-345 on a solid, flat surface. A smooth, flat surface under the machine helps keep it level.

Provide ample space around the machine. Open space around the machine allows for easier access.

Insert all bolts in the same direction. For aesthetic purposes, insert all bolts in the same direction unless specified (in text or illustrations) to do otherwise.

Leave room for adjustments. Tighten fasteners such as bolts, nuts, and screws so the unit is stable, but leave room for adjustments. Do not fully tighten fasteners until instructed in the assembly steps to do so.

Fill out and mail the warranty card.

Assembly Tips

Read all "Notes" on each page before beginning each step.

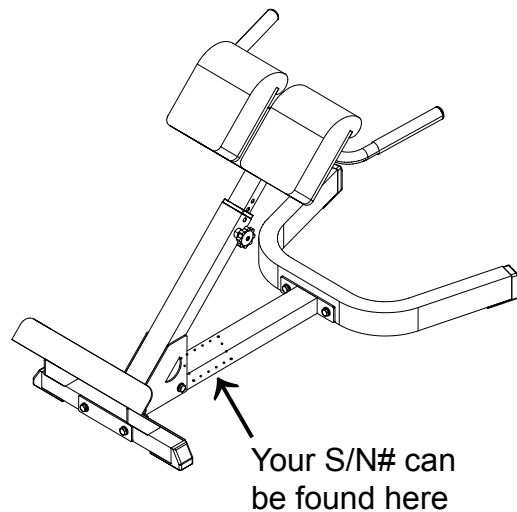
While you may be able to assemble the GHYP-345 using the illustrations only, important safety notes and other tips are included in the text.

Some pieces may have extra holes that you will not use. Use only those holes indicated in the instructions and illustrations.

NOTE: With so many assembled parts, proper alignment and adjustment is critical. While tightening the nuts and bolts, be sure to leave room for adjustments.

NOTE: The bottles that are marked "Poison" is your touch up paint. Keep away from children.

CAUTION: Obtain assistance! If you feel like you can't assemble the GHYP-345 by yourself then do not attempt to do so as this could result in injury. Review the installation requirements before proceeding with the following steps.



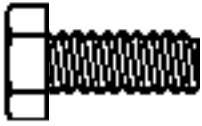
Body-Solid continually seeks ways to improve the performance, specifications and product manuals in order to ensure that only superior products are released from our factories. Please take the time to carefully read through this manual thoroughly. Instructions contained in this document are not intended to cover all details or variations possible with Body-Solid equipment, or to cover every contingency that may be met in conjunction with installation, operation, maintenance or troubleshooting of the equipment. Even though we have prepared this manual with extreme care, neither the publisher nor the author can accept responsibility for any errors in, or omission from, the information given. Should additional information be required, or should situations arise that are not covered by this manual, the matter should be directed to your local Body-Solid representative, or the Service Department at Body-Solid Inc. in Forest Park, Illinois.

Hardware List

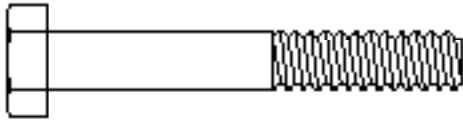
Part#	Size	Description	Quantity
1	M8X20mm	HEX HEAD BOLT	4 PCS.
2	M8X55mm	HEX HEAD BOLT	4 PCS.
3	M10X85mm	HEX HEAD BOLT	2 PCS.
4	M12X75mm	HEX HEAD BOLT	2 PCS.
5	M12X100mm	HEX HEAD BOLT	2 PCS.
6	M10	NYLON LOCK NUT	2 PCS.
7	M12	NYLON LOCK NUT	6 PCS.
8	M8	FLAT WASHER	8 PCS.
9	M10	FLAT WASHER	4 PCS.
10	M12	FLAT WASHER	12 PCS.
11	M12X80mm	HEX HEAD BOLT	2 PCS.
12	315mm	HAND GRIP	2 PCS.
13	50X50mm	FOOT CAP	2 PCS.
14	Ø30mm	ROUND END CAP	2 PCS.
15	75X50mm	FOOT CAP	2 PCS.
16	30X30mm	END CAP	2 PCS.
17	30X70X100mm	NYLON BUSHING	1 PCS.
18		GEAR PIN	1 PCS.

Hardware (To Scale)

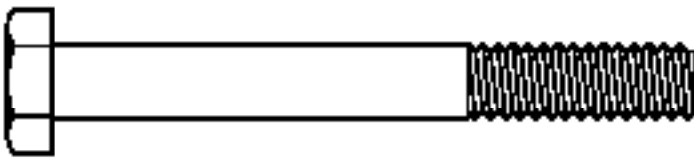
Part #1 M8X20mm HEX HEAD BOLT QTY. 4



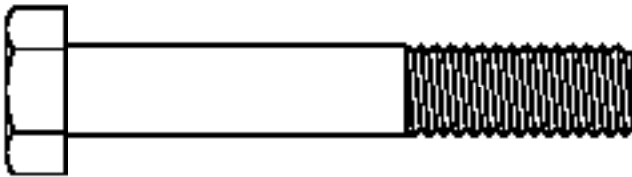
Part #2 M8X55mm HEX HEAD BOLT QTY. 4



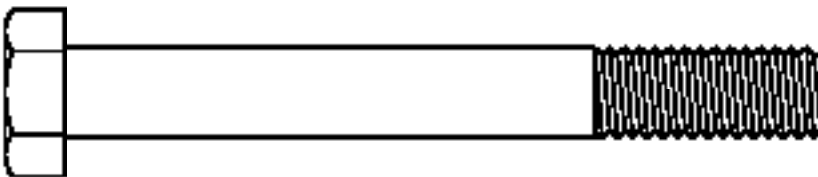
Part #3 M10X85mm HEX HEAD BOLT QTY. 2



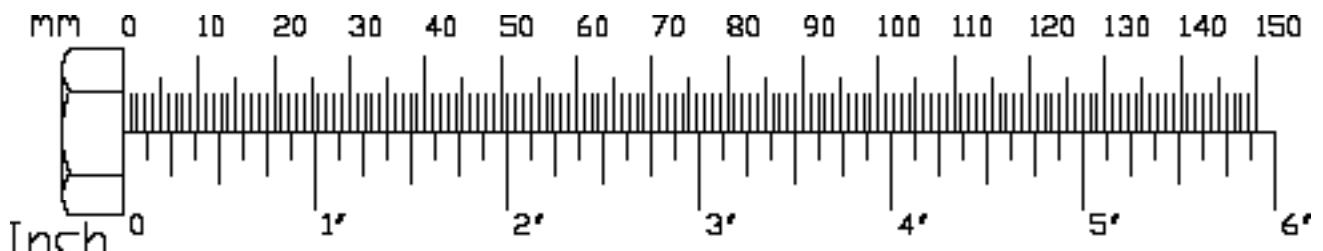
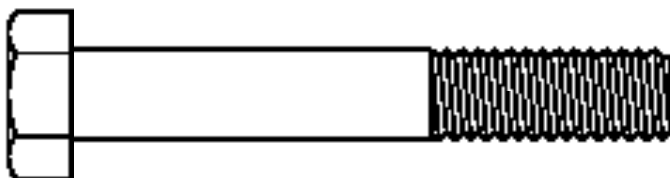
Part #4 M12X75mm HEX HEAD BOLT QTY. 2



Part #5 M12X100mm HEX HEAD BOLT QTY. 2



Part #11 M12X80 HEX HEAD BOLT QTY. 2

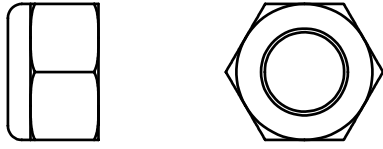


Hardware (To Scale)

Part #7

M12 NYLON LOCK NUT

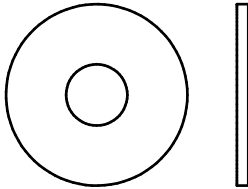
QTY. 6



Part #8

8mm FLAT WASHER

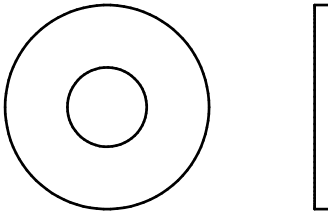
QTY. 8



Part #9

10mm FLAT WASHER

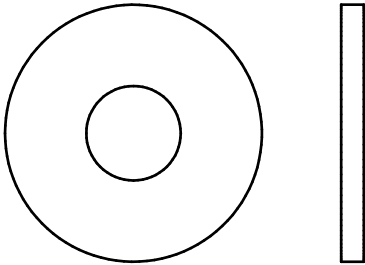
QTY. 4



Part #10

12mm FLAT WASHER

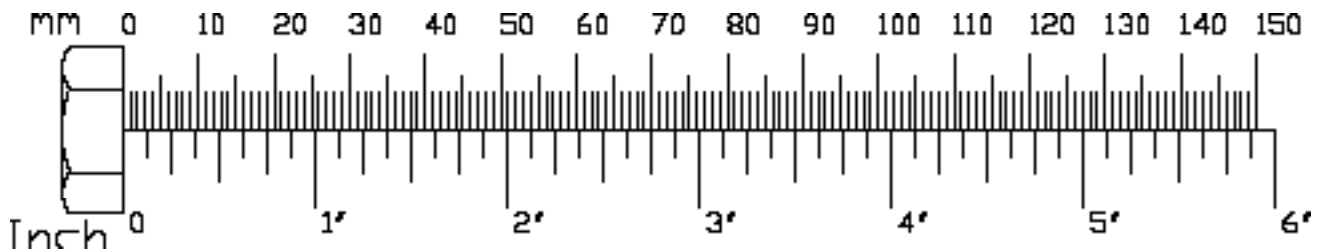
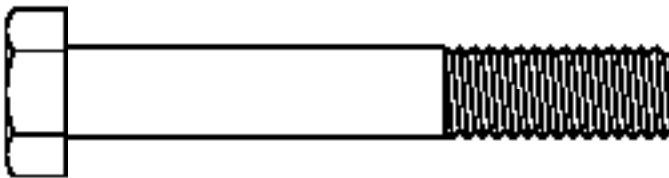
QTY. 12



Part #11

M12X80mm HEX HEAD BOLT

QTY. 2

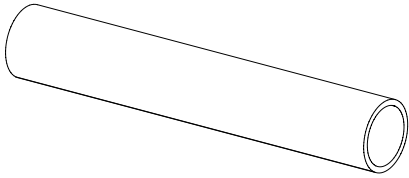


Hardware

Part #12

315mm HAND GRIP

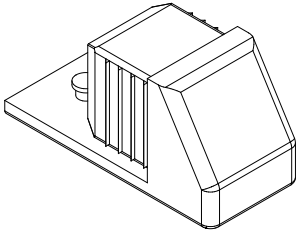
QTY. 2



Part #13

50X50mm FOOT CAP

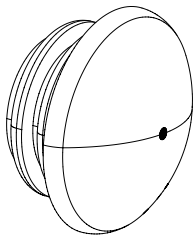
QTY. 2



Part #14

Ø30mm ROUND END CAP

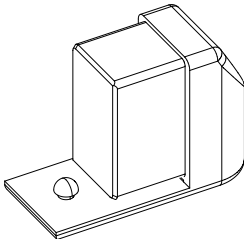
QTY. 2



Part #15

75X50mm FOOT CAP

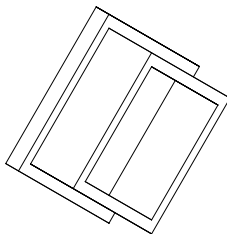
QTY. 2



Part #16

30X30mm END CAP

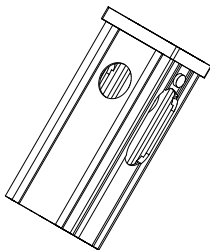
QTY. 2



Part #17

30X70X100mm NYLON BUSHING

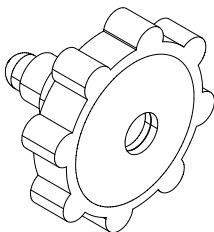
QTY. 1



Part #18

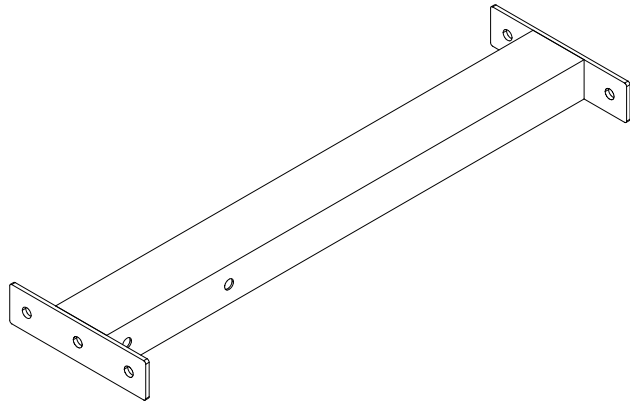
GEAR PIN

QTY. 1

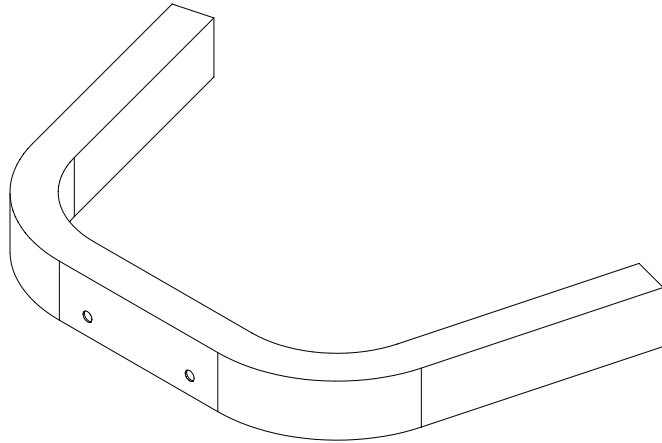


Mainframe Parts List

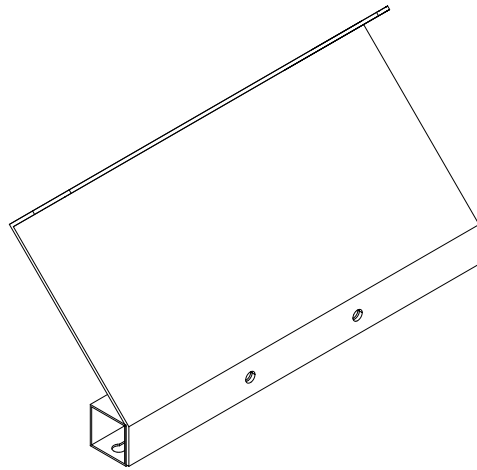
PART A -- MAINFRAME, 1PCS



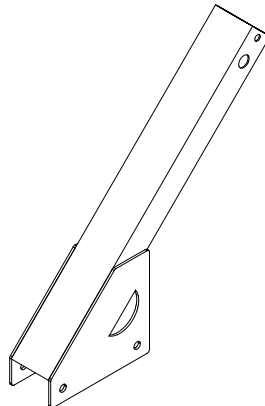
PART B -- BASE FRAME, 1 PCS



PART C -- FOOT FRAME, 1 PCS

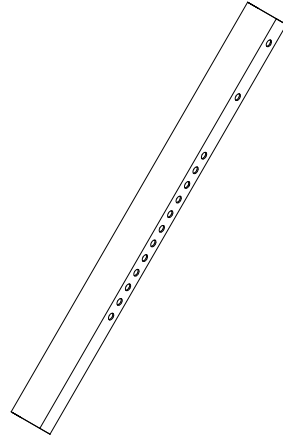


PART D -- ANGLED FRAME, 1 PCS

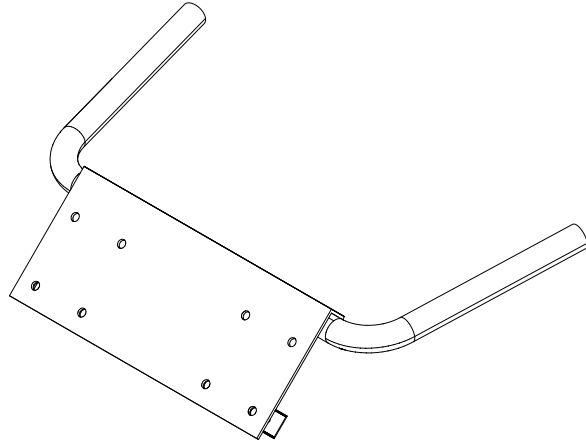


Mainframe Parts List

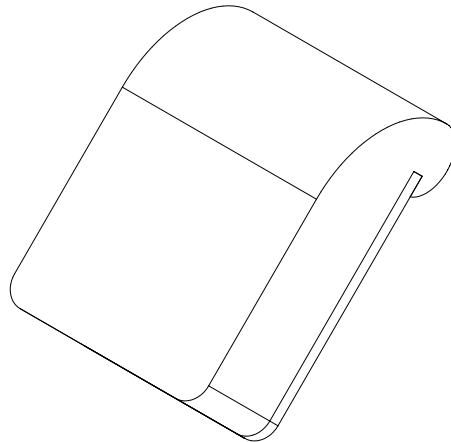
PART E -- ADJUSTMENT FRAME, 1PCS



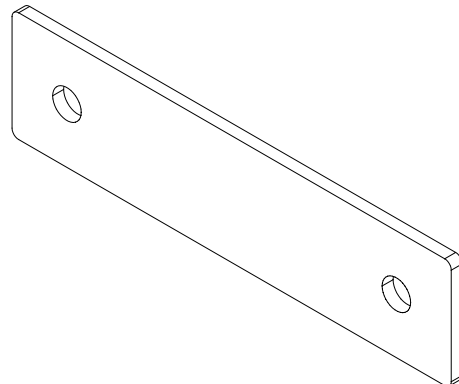
PART F -- HANDLE FRAME, 1 PCS



PART G -- EXTENSION PADS, 2 PCS



PART H -- FLAT PLATES, 2 PCS



STEP**1**

Be careful to assemble all components in the sequence they are presented.

NOTE:

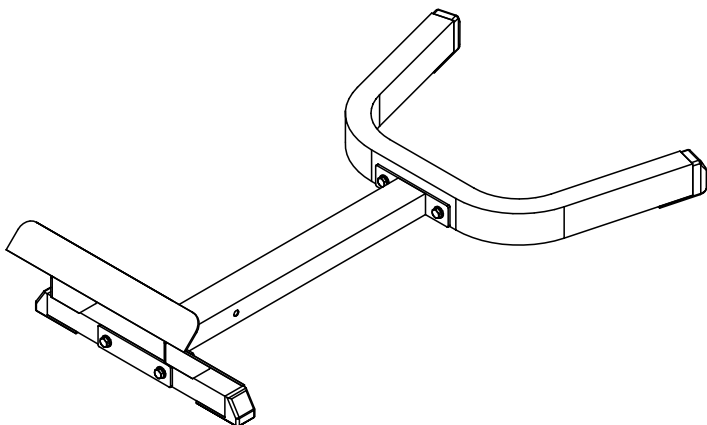
Finger tighten all hardware in this step. DO NOT wrench tighten until the last step. Some components may be pre-assembled. Nylon lock nuts will not fully screw onto bolts, they must be wrench tighten to fully go on.

- 1A. Attach Base Frame (**B**) followed by Flate Plate (**H**) to Mainframe (**A**) using:
 - 2 - (#4) M12X75mm Hex Head Bolt
 - 4 - (#10) 12mm Flat Washer
 - 2 - (#7) M12 Nylon Lock Nut

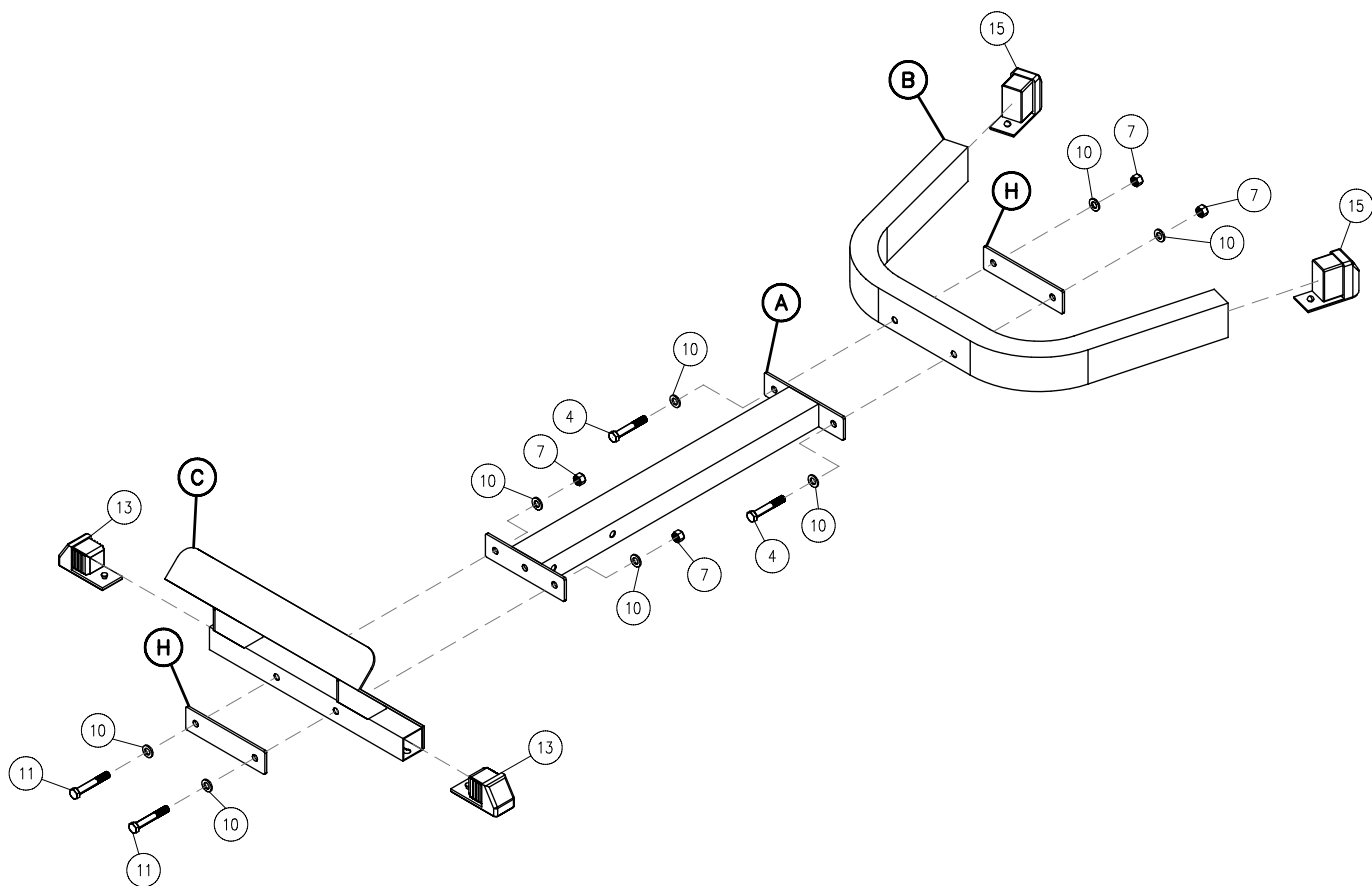
- 1B. Attach Foot Frame (**C**) followed by Flate Plate (**H**) to Mainframe (**A**) using:
 - 2 - (#11) M12X80mm Hex Head Bolt
 - 4 - (#10) 12mm Flat Washer
 - 2 - (#7) M12 Nylon Lock Nut

- 1C. Insert Foot Caps into ends of Foot Frame (**B**) using:
 - 2 - (#15) 75X50mm Foot Cap

- 1D. Insert Foot Caps into ends of Base Frame (**C**) using:
 - 2 - (#13) 50X50mm Foot Cap



Above shows Step 1 assembled and completed.



STEP**2**

Be careful to assemble all components in the sequence they are presented.

NOTE:

Finger tighten all hardware in this step. DO NOT wrench tighten until the last step. Some components may be pre-assembled. Nylon lock nuts will not fully screw onto bolts, they must be wrench tighten to fully go on.

- 2A. Attach Angled Frame (**D**) to Mainframe (**A**) using:
 - 2 - (**#5**) M12X100mm Hex Head Bolt
 - 4 - (**#10**) 12mm Flat Washer
 - 2 - (**#7**) M12 Nylon Lock Nut

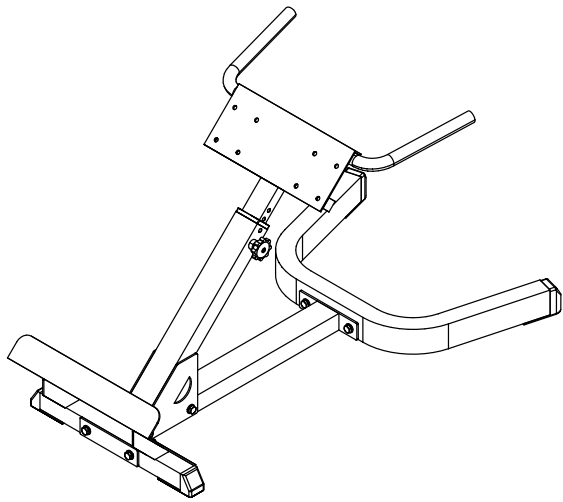
- 2B. Insert Nylon Bushing into Angled Frame (**D**) using:
 - 1 - (**#17**) 30X70X100mm Nylon Bushing

- 2C. Screw Gear Pin into Angled Frame (**D**) using:
 - 1 - (**#18**) Gear Pin

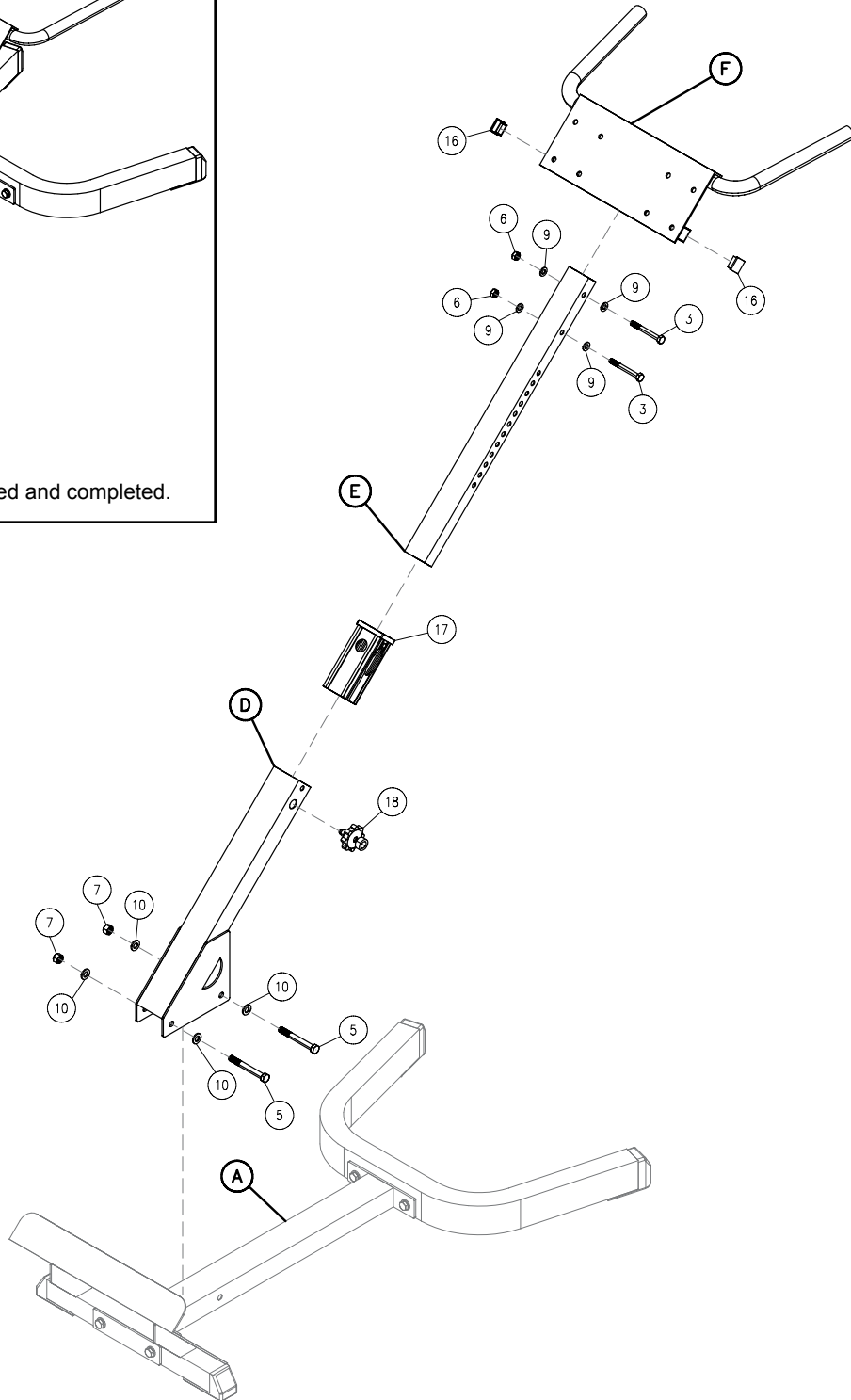
- 2D. Insert Adjustment Frame (**E**) into Angled Frame (**D**).

- 2E. Attach Handle Frame (**F**) to Adjustment Frame (**E**) using:
 - 2 - (**#3**) M10X85mm Hex Head Bolt
 - 4 - (**#9**) 10mm Flat Washer
 - 2 - (**#6**) M10 Nylon Lock Nut

- 2F. Insert End Caps into square ends of Handle Frame (**F**) using:
 - 2 - (**#16**) 30X30mm End Cap



Above shows Step 2 assembled and completed.



STEP**3**

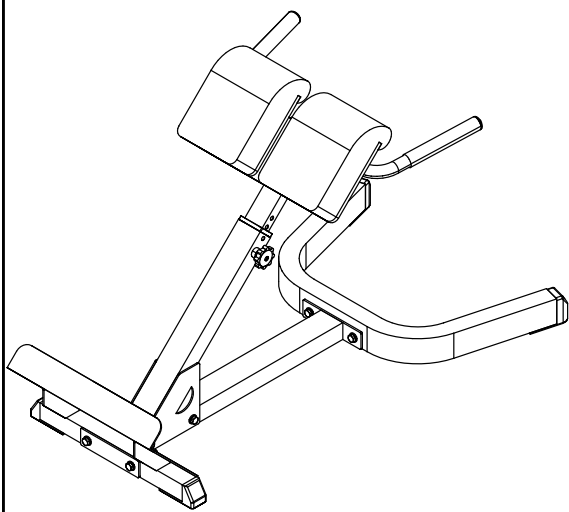
Be careful to assemble all components in the sequence they are presented.

NOTE:

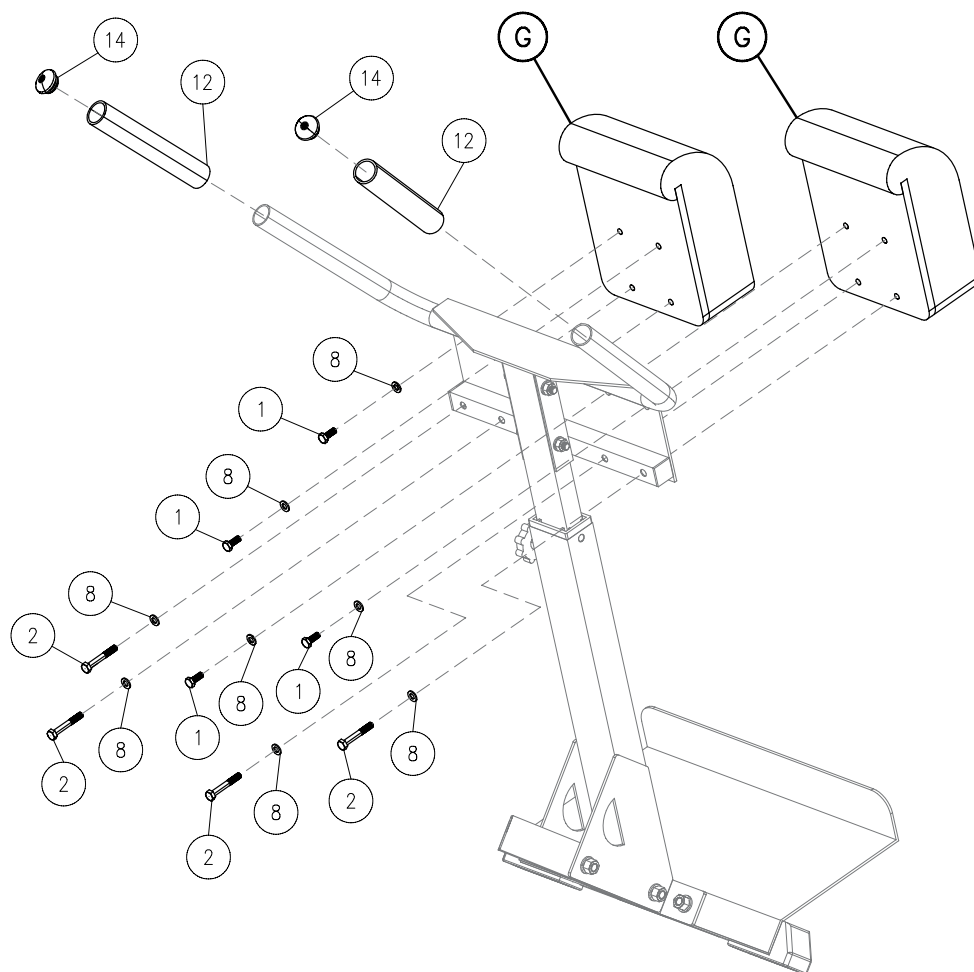
Finger tighten all hardware in this step. DO NOT wrench tighten until the last step. Some components may be pre-assembled. Nylon lock nuts will not fully screw onto bolts, they must be wrench tighten to fully go on.

- 3A. Attach both Extension Pads (**G**) to Handle Frame (**F**) using:
- *For Bottom Holes
 - 4 - (#2) M8X55mm Hex Head Bolt**
 - 4 - (#8) 8mm Flat Washer**

 - *For Top Holes
 - 4 - (#1) M8X20mm Hex Head Bolt**
 - 4 - (#8) 8mm Flat Washer**
- 3B. Insert Hand Grips onto Handles of Handle Frame (**F**) using:
- 2 - (#12) 315mm Hand Grip**
- 3C. Insert Round End Caps into circle ends of Handle Frame (**F**) using:
- 2 - (#14) Ø30mm Round End Cap**

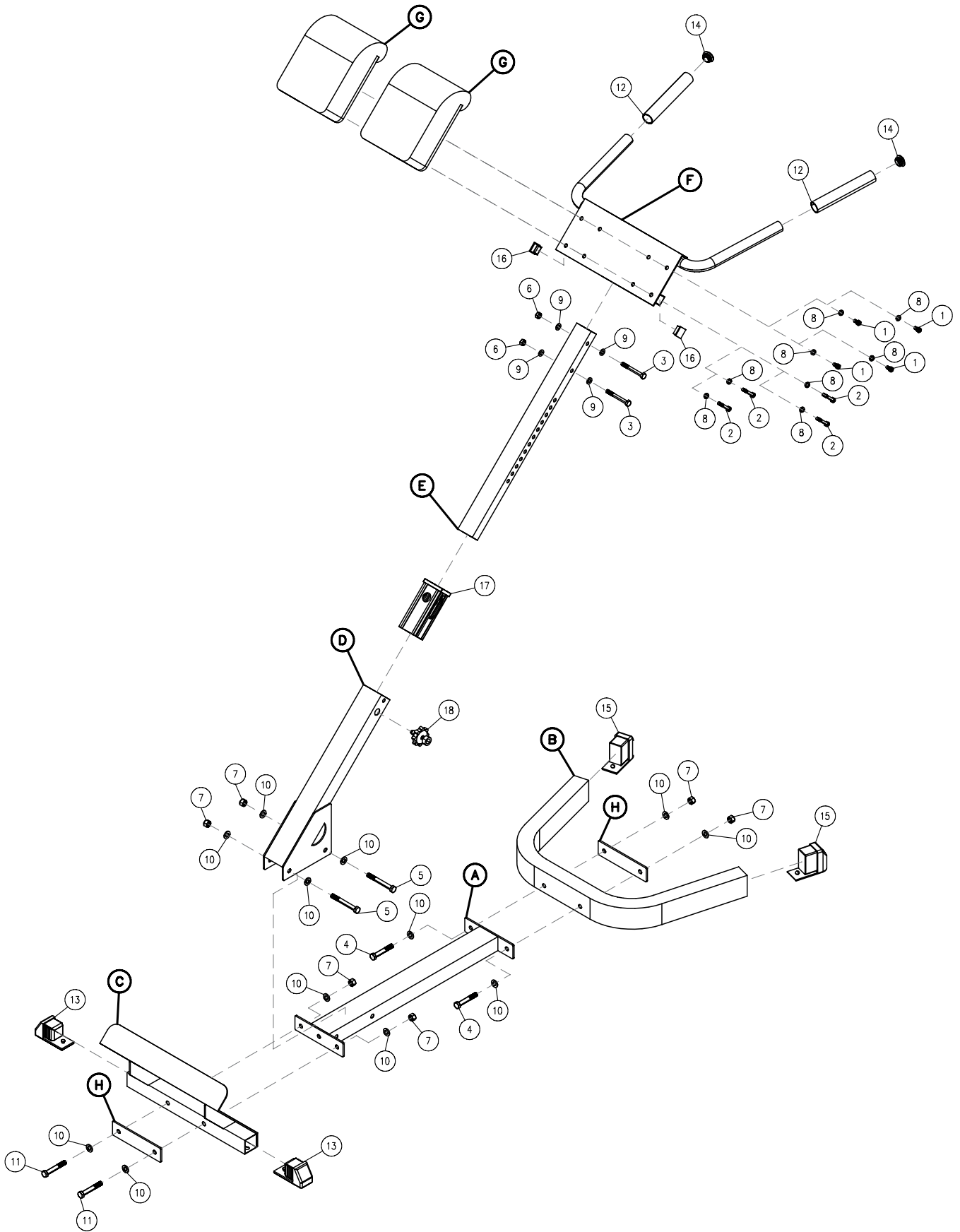


Above shows Step 3 assembled and completed.



Notes

Exploded View





GHYP-345

PLEASE WRITE YOUR SERIAL NUMBER IN THE BOXES BELOW

S/N # - - - -

1900 S. Des Plaines Ave.
Forest Park, IL 60130
Phone:(708)427-3555
Fax:(708)427-3556
Hours: M-F 8:30 - 5:00 CST

www.bodysolid.com