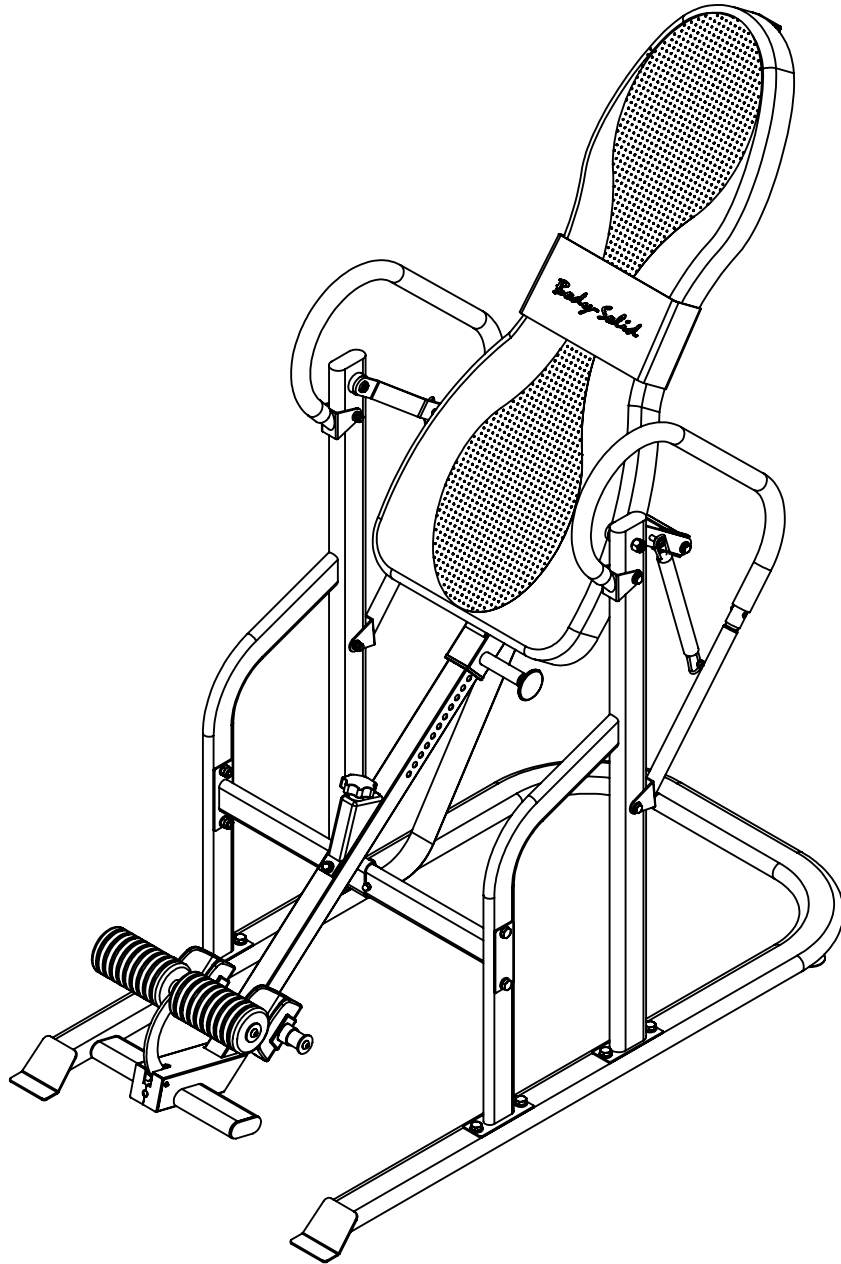


Body-Solid®

Built for Life



GINV50

Assembly & Instructions
OWNER'S & MANUAL

v. GINV50-010416

Warning, Safety & Maintenance

Be sure that all users carefully read and understand all warning, safety and maintenance labels on the machine before each use. Failure to do so may result in death or serious injury.

It is imperative that you retain this Owner's Manual and be sure all warning labels are legible and intact. Replacement Owner's Manuals and warning labels are available from your local Body-Solid dealer.

If you have any questions about the operation, set up or maintenance of this machine please call our customer service department at 1 (800) 556-3113.

THERE IS A RISK ASSUMED BY INDIVIDUALS WHO USE THIS TYPE OF EQUIPMENT. TO MINIMIZE RISK, YOU MUST FOLLOW THESE RULES:

1. Inspect equipment before each workout. Check that all nuts, bolts, screws and pop pins are in place and fully tightened. Also, before use, check cables for signs of wear. Replace all worn parts immediately. Never use machine if any parts are damaged or missing. **FAILURE TO FOLLOW THESE RULES MAY RESULT IN SERIOUS INJURY.**
2. Keep clear of the cables and all moving parts when the machine is in use.
3. Always make sure all Snap Links are closed when doing any cable/pulley/strap exercises.
4. Exercise with care. Perform your exercises at a smooth moderate pace; never perform jerky or uncoordinated movements that may cause injury.
5. It is recommended that you should workout with a training partner.
6. Do not allow children or minors to play on or around this equipment.
7. If unsure of proper use of equipment, call your local Body-Solid distributor or the Body-Solid customer service department at 1-800-556-3113.
8. **WARNING:** Consult your physician before starting your exercise program. For your own safety, do not begin any exercise program without proper instruction. RAL8-6-03 WC-54

MAINTENANCE SCHEDULE		D A I L Y	W E E K L Y
Check the function and integrity of the following components. As noted, inspect equipment before each workout. Replace all damaged, broken or worn components immediately.			
Cables:	Check tension, end fittings, and coating	✓	
	Check that locking nut at weight stack is tight		✓
Upholstery:	Wipe down and dry	✓	
	Clean and condition		✓
Frame:	Wipe down and dry	✓	
	Polish / Wax		✓
Chrome:	Wipe down and dry	✓	
	Polish / Lubricate		✓
Nuts / Bolts / Fasteners:	Tighten and / or adjust as needed		✓
Guide Rods:	Lubricate and clean		✓
Linear Rods:	Lubricate and clean		✓
Seat Sleeves:	Lubricate and clean		✓
Adjustments / Locking Pins / Tightening Knobs			✓
Weight Stack Pins			✓
Warning Instruction Labels			✓
Springs / Pop Pins		✓	
Anti Skid Surfaces			✓
Hand Grips / Rollers			✓
For Body-Solid Customer Service Call 1-800-556-3113 #MSSTKR0803			

Table of Contents

- SAFETY INSTRUCTIONS..... PAGE 4
- PREPARATION..... PAGE 5
- HARDWARE LIST..... PAGE 6
- PARTS LIST..... PAGE 7
- HARDWARE ILLUSTRATION..... PAGE 8
- ASSEMBLY INSTRUCTIONS..... PAGE 14
- EXPLODED VIEW..... PAGE 21
- CONTACT PAGE..... PAGE 22

Important Safety Instructions

Before beginning any fitness program, you should obtain a complete physical examination from your physician.

*Il est conseillé de subir un examen médical complet avant d'entreprendre tout programme d'exercice.
Si vous avez des étourdissements ou des faiblesses, arrêtez les exercices immédiatement.*

Antes de comenzar cualquier programa de ejercicios, deberías tener un examen físico con su doctor.

When using exercise equipment, you should always take basic precautions, including the following:

- Read all instructions before using the **GINV50**. These instructions are written to ensure your safety and to protect the unit.
- **Do not remove any safety labels from the machine.**
- Do not allow children on or near the equipment.
- Use the equipment only for its intended purpose as described in this guide. Do not use accessory attachments that are not recommended by the manufacturer. Such attachments might cause injuries.
- Wear proper exercise clothing and shoes for your workout, no loose clothing.
- Keep hands, limbs, loose clothing, and long hair well out of the way of all moving parts.
- Use care when getting on or off the unit.
- Do not overexert yourself or work to exhaustion.
- If you feel any pain or abnormal symptoms, stop your workout immediately and consult your physician.
- Never operate unit when it has been dropped or damaged. Return the equipment to a service center for examination and repair.
- Never drop or insert objects into any opening in the equipment.
- Always check the unit and its cables before each use. Make sure that all fasteners and cables are secure and in good working condition.
- Do not use the equipment outdoors or near water.

Personal Safety During Assembly

- Before beginning assembly, please take the time to read the instructions thoroughly.
- Read each step in the assembly instructions and follow the steps in sequence. Do not skip ahead. If you skip ahead, you may learn later that you have to disassemble components and that you may have damaged the equipment.
- Assemble and operate the **GINV50** on a solid, level surface. Locate the unit a few feet from the walls or furniture to provide easy access.

The **GINV50** is designed for your enjoyment. By following these precautions and using common sense, you will have many safe and pleasurable hours of healthful exercise with your **Body-Solid Inversion Table**.

After assembly, you should check all functions to ensure correct operation. If you experience problems, first recheck the assembly instructions to locate any possible errors made during assembly. If you are unable to correct the problem, call the dealer from whom you purchased the machine or call **1-800-556-3113** for the dealer nearest you.

Obtaining Service

Please use this Owner's Manual to make sure that all parts have been included in your shipment. When ordering parts, you must use the part number and description from this Owner's Manual. Use only Body-Solid replacement parts when servicing this machine. Failure to do so will void your warranty and could result in personal injury.

For information about product operation or service, check out the official Body-Solid website at www.bodysolid.com or contact an authorized Body-Solid dealer or a Body-Solid factory-authorized service company or contact Body-Solid customer service at one of the following:

Toll Free: 1-800-556-3113
Phone: 1-708-427-3555
Fax: 1-708-427-3556
Hours: M-F 8:30-5:00 CST
E-Mail: service@bodysolid.com

Or write to: Body-Solid, Inc.
Service Department
1900 S. Des Plaines Ave.
Forest Park, IL 60130 USA

Retain this Owner's Manual for future reference. If you need to order replacement parts please be prepared to provide the following information when contacting us so that we can assist you better.

- 1. Model Number**
- 2. Place of Purchase**
- 3. Serial Number (S/N)**
- 4. Part # and Description**

Preparation

Thank you for purchasing the **GINV50**. This bench is part of the Body-Solid line of quality strength training machines, which lets you target specific muscle groups to achieve better muscle tone and overall body conditioning. To maximize your use of the equipment please study this Owner's Manual thoroughly.

Required Tools

The basic tools that you must obtain before assembling the **GINV50** include but are not limited to:

- Metric Allen Key Set
- Standard Allen Key Set
- Standard Wrench Set
- Metric Wrench Set
- Adjustable Wrench
- Screwdriver (standard and/or phillips)

Installation Requirements

Follow these installation requirements when assembling the **GINV50**:

Set up the **GINV50** on a solid, flat surface. A smooth, flat surface under the machine helps keep it level. A level machine has fewer malfunctions.

Provide ample space around the machine. Open space around the machine allows for easier access.

Insert all bolts in the same direction. For aesthetic purposes, insert all bolts in the same direction unless specified (in text or illustrations) to do otherwise.

Leave room for adjustments. Tighten fasteners such as bolts, nuts, and screws so the unit is stable, but leave room for adjustments. Do not fully tighten fasteners until instructed in the assembly steps to do so.

Fill out and mail the warranty card.

Assembly Tips

Read all "Notes" on each page before beginning each step.

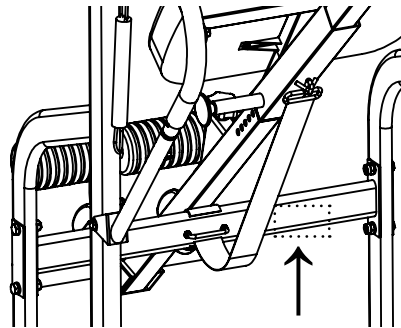
While you may be able to assemble the **GINV50** using the illustrations only, important safety notes and other tips are included in the text.

Some pieces may have extra holes that you will not use. Use only those holes indicated in the instructions and illustrations.

NOTE: With so many assembled parts, proper alignment and adjustment is critical. While tightening the nuts and bolts, be sure to leave room for adjustments.

NOTE: The bottles that are marked "Poison" is your touch up paint. Keep away from children.

CAUTION: Obtain assistance! If you feel like you can't assemble the **GINV50** by yourself then do not attempt to do so as this could result in injury. Review the installation requirements before proceeding with the following steps.



Your S/N# can
be found here

Body-Solid continually seeks ways to improve the performance, specifications and product manuals in order to ensure that only superior products are released from our factories. Please take the time to carefully read through this manual thoroughly. Instructions contained in this document are not intended to cover all details or variations possible with Body-Solid equipment, or to cover every contingency that may be met in conjunction with installation, operation, maintenance or troubleshooting of the equipment. Even though we have prepared this manual with extreme care, neither the publisher nor the author can accept responsibility for any errors in, or omission from, the information given. Should additional information be required, or should situations arise that are not covered by this manual, the matter should be directed to your local Body-Solid representative, or the Service Department at Body-Solid Inc. in Forest Park, Illinois.

GINV50 Hardware List

Part#	Size	Description	Quantity
1	M12x60mm	SOCKET HEAD CAP SCREW	2 PCS.
2	M10x40mm	HEX HEAD BOLT	4 PCS.
3	M10x35mm	HEX HEAD BOLT	8 PCS.
4	M8x50mm	HEX HEAD BOLT	4 PCS.
5	M8x20mm	HEX HEAD BOLT	4 PCS.
6	M8x16mm	BUTTON HEAD CAP SCREW	4 PCS.
7	M8x10mm	HEX HEAD BOLT	1 PCS.
8	M6x35mm	PAN HEAD PHILLIPS MACHINE SCREW	1 PCS
9	M6x16mm	PAN HEAD PHILLIPS MACHINE SCREW	4 PCS
10	M6x12mm	BUTTON HEAD CAP SCREW	4 PCS
11	M5X8mm	SET SCREW	2 PCS
12	M3.9x10mm	PAN HEAD PHILLIPS SCREW	6 PCS
13	M10	WASHER	16 PCS
14	M8	WASHER	17 PCS
15	ID9xOD32mm	WASHER	4 PCS
16	ID12.2xOD18m	WASHER	6 PCS
17	OD30.1x1.2mm	RETAINING RING	2 PCS
18	M12	NYLON LOCK NUT	2 PCS
19	M10	NYLON LOCK NUT	4 PCS
20	M8	NYLON LOCK NUT	8 PCS
21	M6	JAM NUT	2 PCS
22	M6	ACORN NUT	2 PCS
23	M6x22mm	BARREL NUT	4 PCS

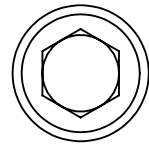
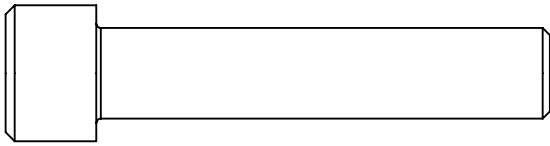
GINV50 Parts List

Part#	Description	Quantity
A	BASE FRAME	1 PCS.
B	UPRIGHT	2 PCS.
C	CROSS MEMBER	1 PCS.
D	STEEL PLATE	2 PCS.
E	PIVOT ARM	2 PCS.
F	LEFT LOWER HANDLE BAR	2 PCS.
G	UPPER HANDLE BAR	2 PCS.
H	BACK FRAME	1 PCS
J	ADJUSTMENT FRAME	1 PCS
K	ANKLE LOCK MECHANISM	1 PCS
L	RIGHT LOWER HANDLE BAR	1 PCS
24	ADJUSTABLE FOOT	2 PCS.
25	ID12xOD28x8mm BEARING	2 PCS.
26	ID7.7xOD9.5x10.5mm FLANGE SLEEVE	2 PCS.
27	M6X18mm EYEBOLT	2 PCS.
28	BUNGEE CORD	2 PCS.
29	HANDLE GRIP	2 PCS.
30	PLASTIC BUMPER	1 PCS.
31	U BOLT	1 PCS.
32	POP PIN KNOB	1 PCS.
33	FOAM ROLLER	2 PCS.
34	HEEL HOLDER	2 PCS.
35	HEEL HOLDER BRACKET	2 PCS.
36	SAFETY STRAP	1 PCS.
37	50x50mm BUSHING	1 PCS.
38	BACK PAD	1 PCS.
39	ANKLE LOCK KNOB	1 PCS.
40	PLASTIC COVER	1 PCS.
41	PAD WRAP	1 PCS.

GINV50 Hardware Illustration

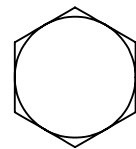
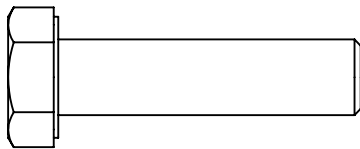
Part #1 SOCKET HEAD CAP SCREW M12x60mm

QTY. 2



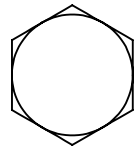
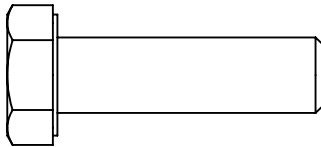
Part #2 HEX HEAD BOLT M10x40mm

QTY. 4



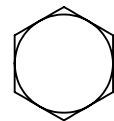
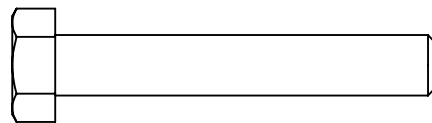
Part #3 HEX HEAD BOLT M10x35mm

QTY. 8



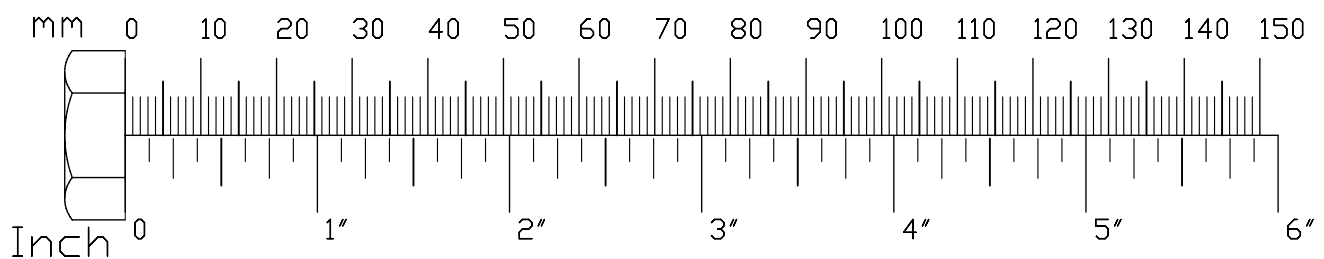
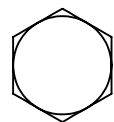
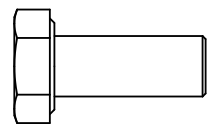
Part #4 HEX HEAD BOLT M8x50mm

QTY. 4



Part #5 HEX HEAD BOLT M8x20mm

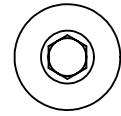
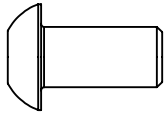
QTY. 4



GINV50 Hardware Illustration

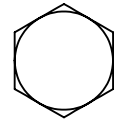
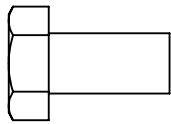
Part #6 BUTTON HEAD CAP SCREW M8x16mm

QTY. 4



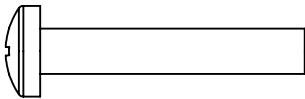
Part #7 HEX HEAD BOLT M8x10mm

QTY. 1



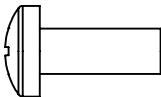
Part #8 PAN HEAD PHILLIPS MACHINE SCREW M6x35mm

QTY. 1



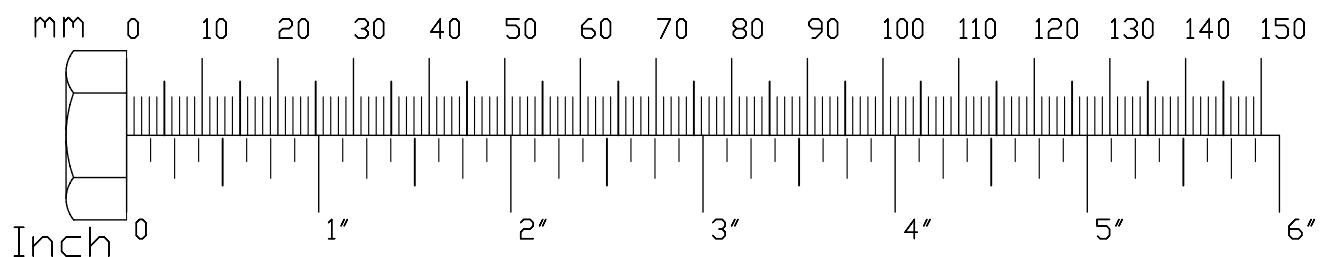
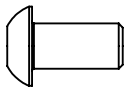
Part #9 PAN HEAD PHILLIPS MACHINE SCREW M6x16mm

QTY. 4



Part #10 BUTTON HEAD CAP SCREW M6x12mm

QTY. 4



GINV50 Hardware Illustration

Part #11 SET SCREW M5x8mm

QTY. 2



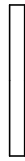
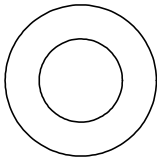
Part #12 PAN HEAD PHILLIPS SCREW M3.9x10mm

QTY. 6



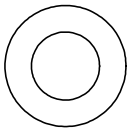
Part #13 WASHER M10

QTY. 16



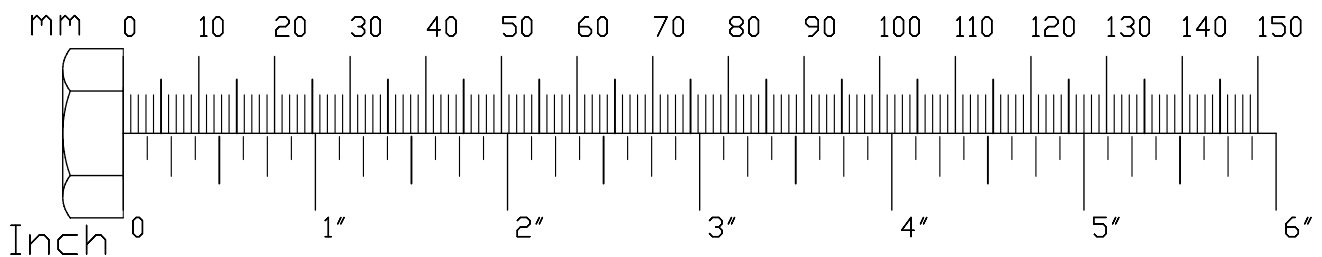
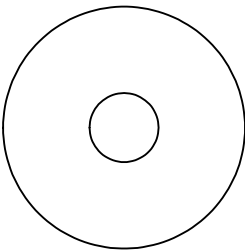
Part #14 WASHER M8

QTY. 17



Part #15 WASHER ID9XOD32mm

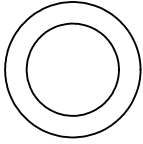
QTY. 4



GINV50 Hardware Illustration

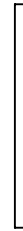
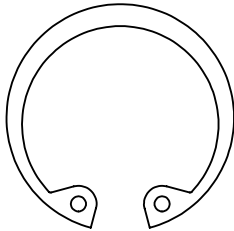
Part #16 WASHER ID12.2xOD18mm

QTY. 6



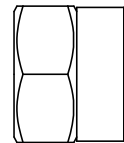
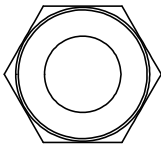
Part #17 RETAINING RING OD30.1x1.2mm

QTY. 2



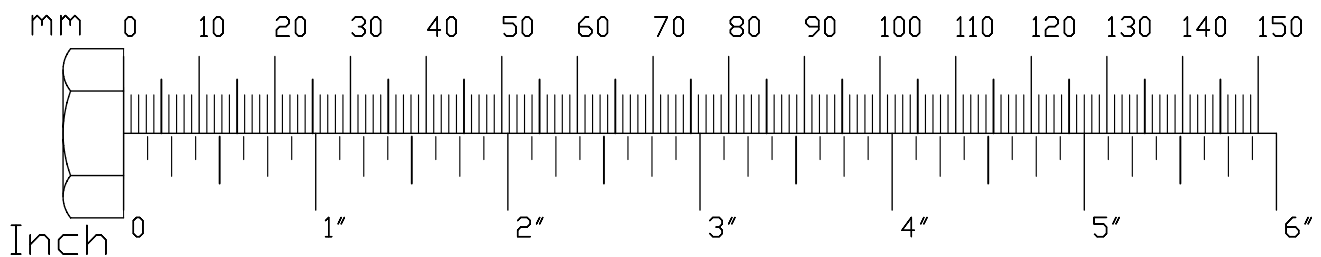
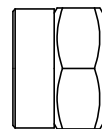
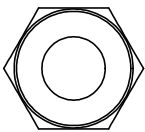
Part #18 NYLON LOCK NUT M12

QTY. 2



Part #19 NYLON LOCK NUT M10

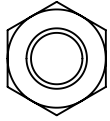
QTY. 4



GINV50 Hardware Illustration

Part #20 NYLON LOCK NUT M8

QTY. 8



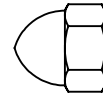
Part #21 JAM NUT M6

QTY. 2



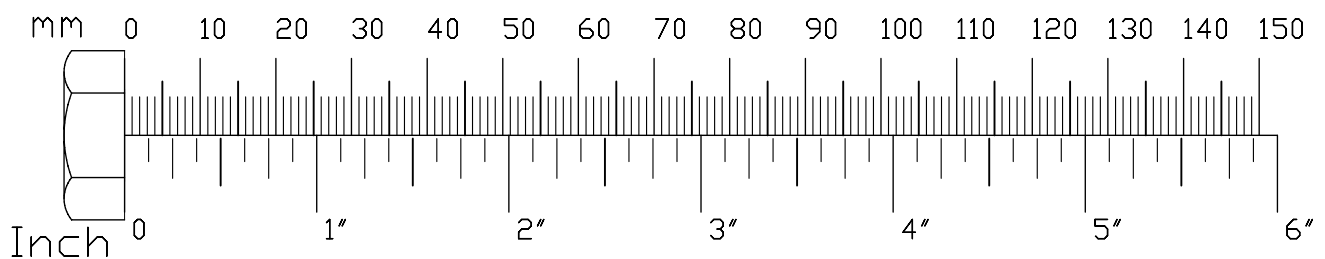
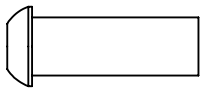
Part #22 ACORN NUT

QTY. 2



Part #23 BARREL NUT M6x22mm

QTY. 4



Notes

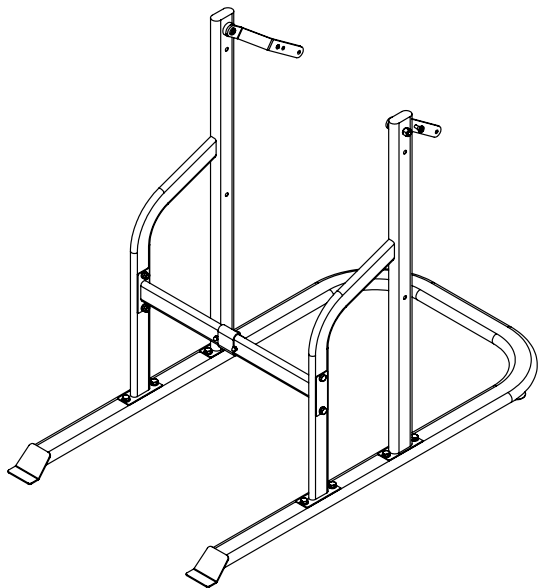
STEP**1**

Be careful to assemble all components in the sequence they are presented.

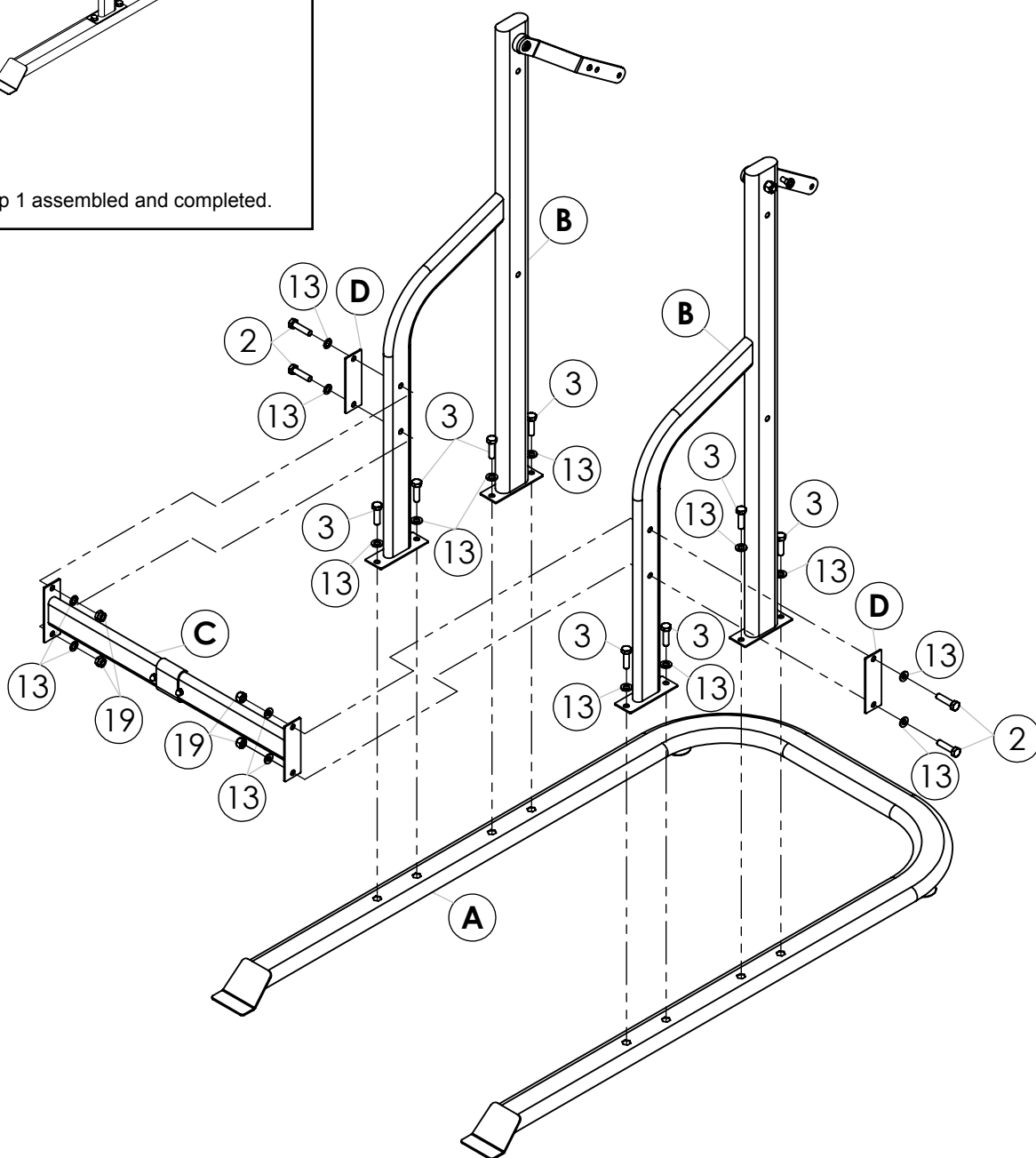
NOTE:

Finger tighten all hardware in this step. DO NOT wrench tighten unless instructed. Some components may be pre-assembled. Nylon lock nuts will not fully screw onto bolts, they must be wrench tighten to fully go on.

- 1A.** Attach Two Uprights (**B**) to Base Frame (**A**) using:
8 - (#3) M10x35mm Hex Head Bolt
8 - (#13) M10 Washer
- 1B.** Attach Cross Member (**C**) to Uprights (**B**) using:
4 - (#2) M10x40mm Hex Head Bolt
8 - (#13) M10 Washer
4 - (#19) M10 Nylon Lock Nut
2 - (D) Steel Plate



Above shows Step 1 assembled and completed.



STEP**2**

Be careful to assemble all components in the sequence they are presented.

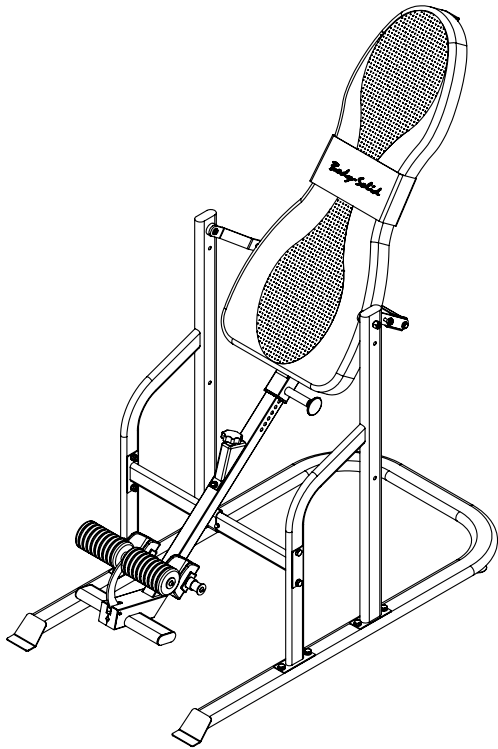
NOTE:

Finger tighten all hardware first in this step. Wrench tighten ALL hardware at the end of and after STEP 2A. Some components may be pre-assembled. Nylon lock nuts will not fully screw onto bolts, they must be wrench tighten to fully go on.

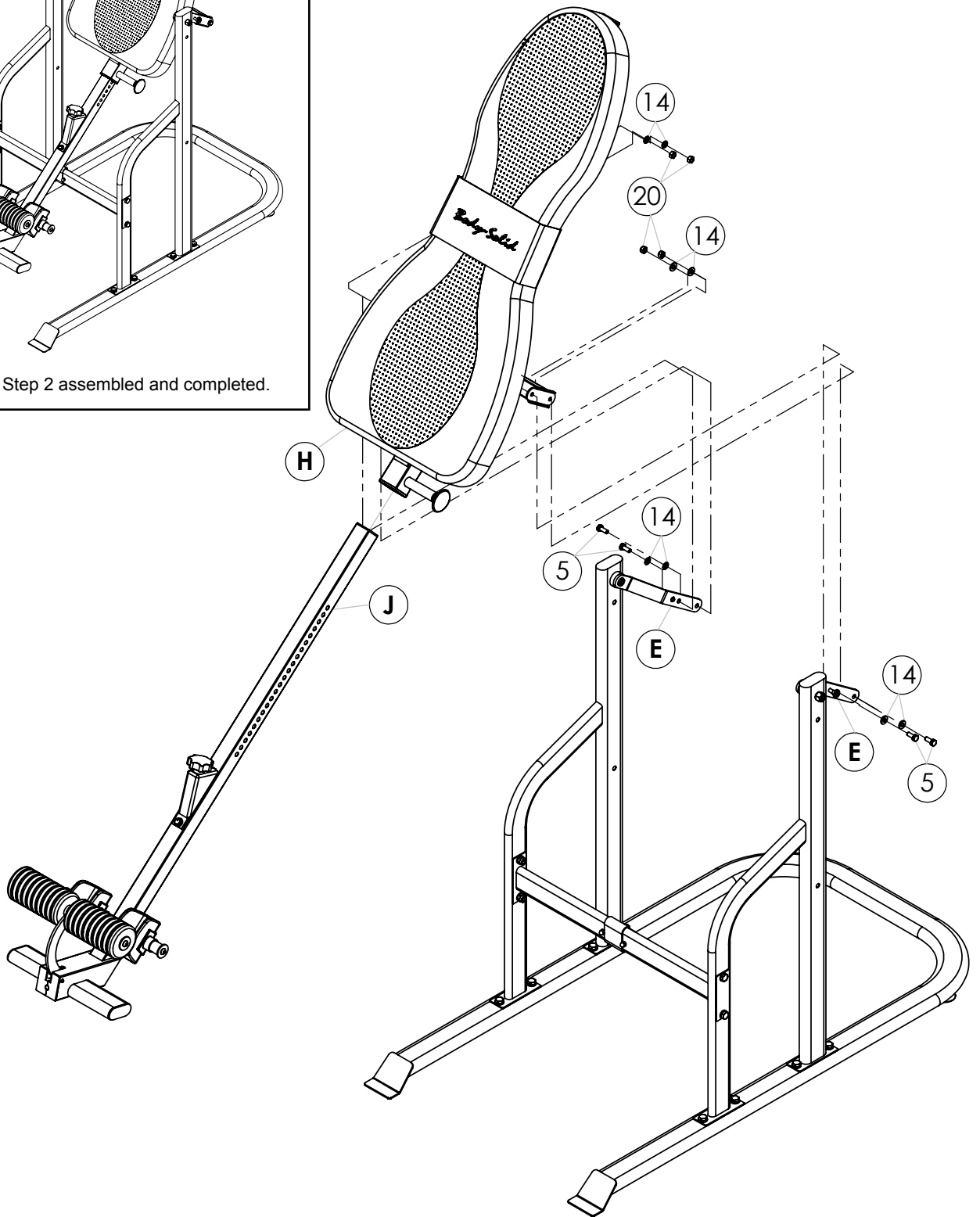
- 2A.** Attach Back Frame (H) to Pivot Arms (E) using:
 - 4 - (#5) M8x20mm Hex Head Bolt**
 - 8 - (#14) M8 Washer**
 - 4 - (#20) M8 Nylon Lock Nut**

- 2D.** Insert Adjustment Frame (J) into Back Frame (H)

STEP
2



Above shows Step 2 assembled and completed.



STEP**3**

Be careful to assemble all components in the sequence they are presented.

NOTE:

Finger tighten all hardware first in this step. Wrench tighten ALL hardware at the end of and after STEP 3D. Some components may be pre-assembled. Nylon lock nuts will not fully screw onto bolts, they must be wrench tighten to fully go on.

- 3A.** Attach Upper Handle Bar (**G**) to Right Lower Handle Bar (**L**) using:
 - 1 - (#10) M6x12mm Button Head Cap Screw
 - 1 - (#23) M6X22mm Barrel Nut

- 3B.** Attach Upper Handle Bar (**G**) and Right Lower Handle Bar (**L**) to the Right Side of the Upright (**B**) using:
 - 2 - (#4) M8x50mm Hex Head Bolt
 - 4 - (#14) M8 Washer
 - 2 - (#20) M8 Nylon Lock Nut

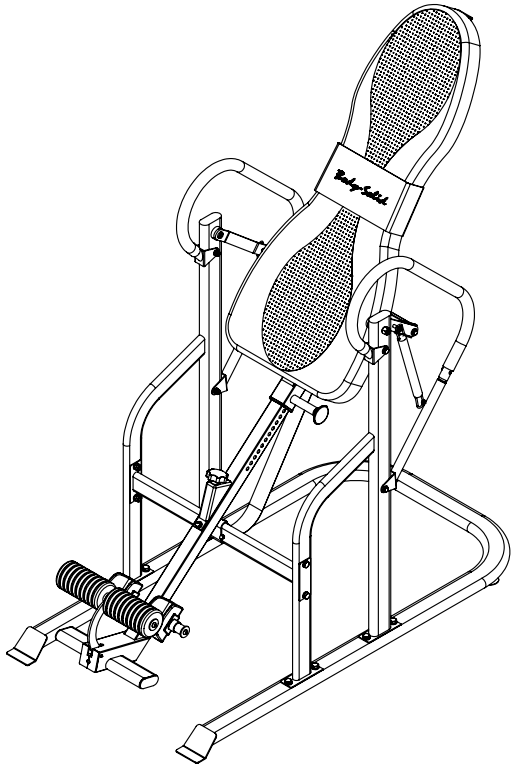
- 3C.** Attach Upper Handle Bar (**G**) to Left Lower Handle Bar (**F**) using:
 - 1 - (#10) M6x12mm Button Head Cap Screw
 - 1 - (#23) M6X22mm Barrel Nut

- 3D.** Attach Upper Handle Bar (**G**) and Left Lower Handle Bar (**F**) to the Left Side of the Upright (**B**) using:
 - 2 - (#4) M8x50mm Hex Head Bolt
 - 4 - (#14) M8 Washer
 - 2 - (#20) M8 Nylon Lock Nut

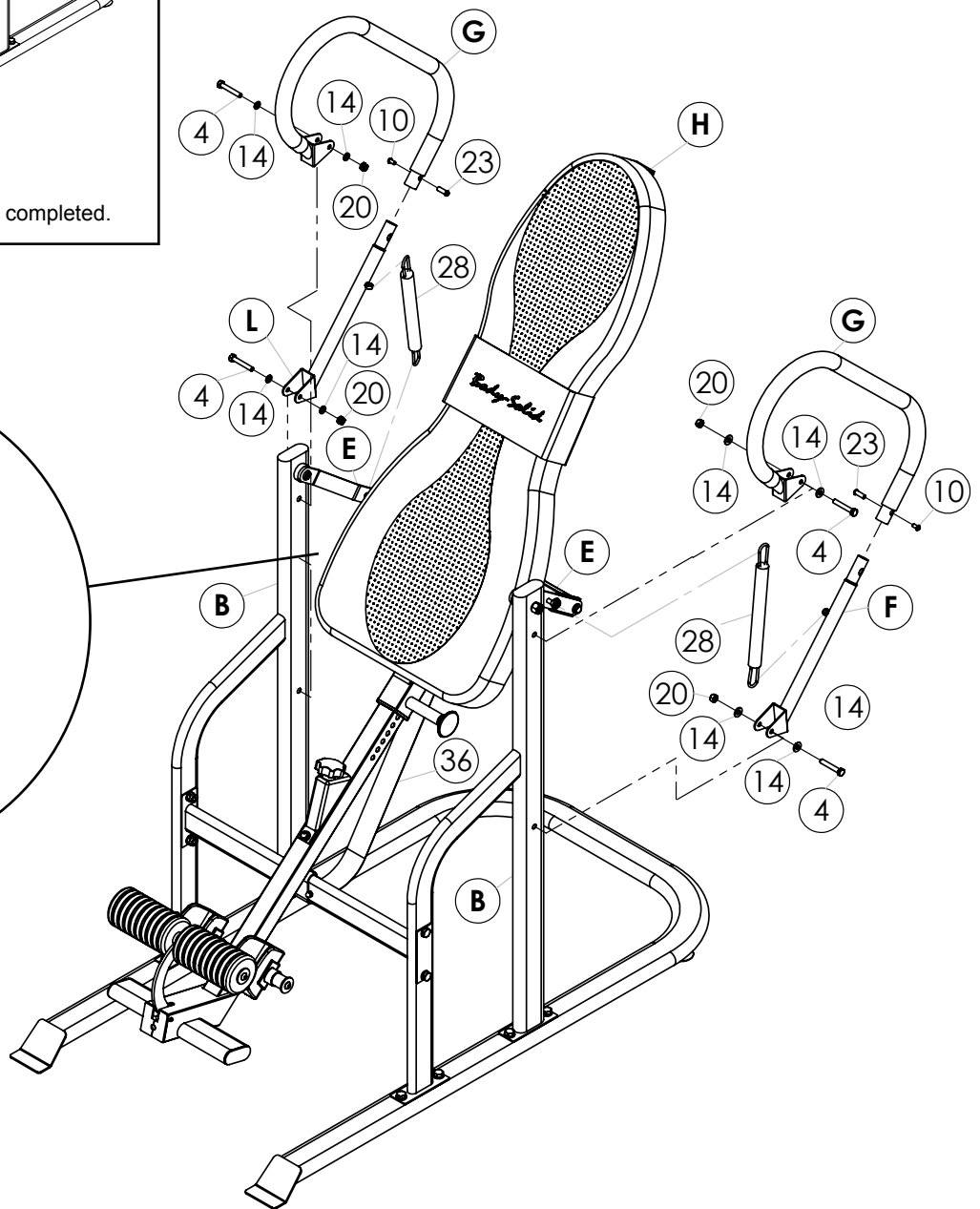
- 3E.** Attach Bungee Cords (**#28**) to Lower Handle Bars (**L & F**) and Pivot Arms (**E**).

- 3F.** Attach Safety Strap (**#36**) to Back Frame (**H**).

STEP
3

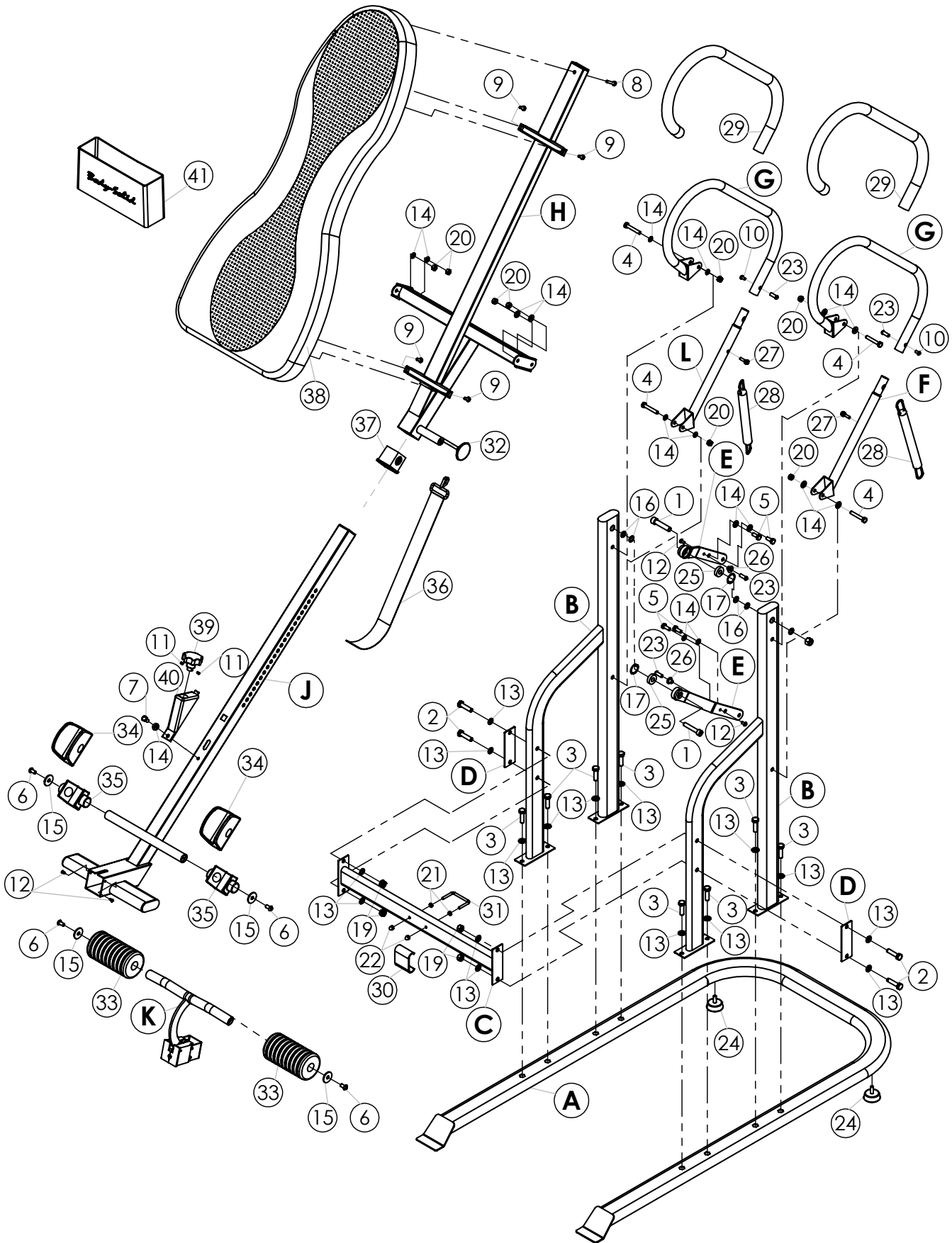


Above shows Step 3 assembled and completed.



Notes

GINV50 Exploded View



Body-Solid®

Built for Life

PLEASE WRITE YOUR SERIAL NUMBER IN THE BOXES BELOW

S/N # 010901----

1900 S. Des Plaines Ave.
Forest Park, IL 60130
Phone:(708)427-3555
Fax:(708)427-3556
Hours: M-F 8:30 - 5:00 CST

www.bodysolid.com