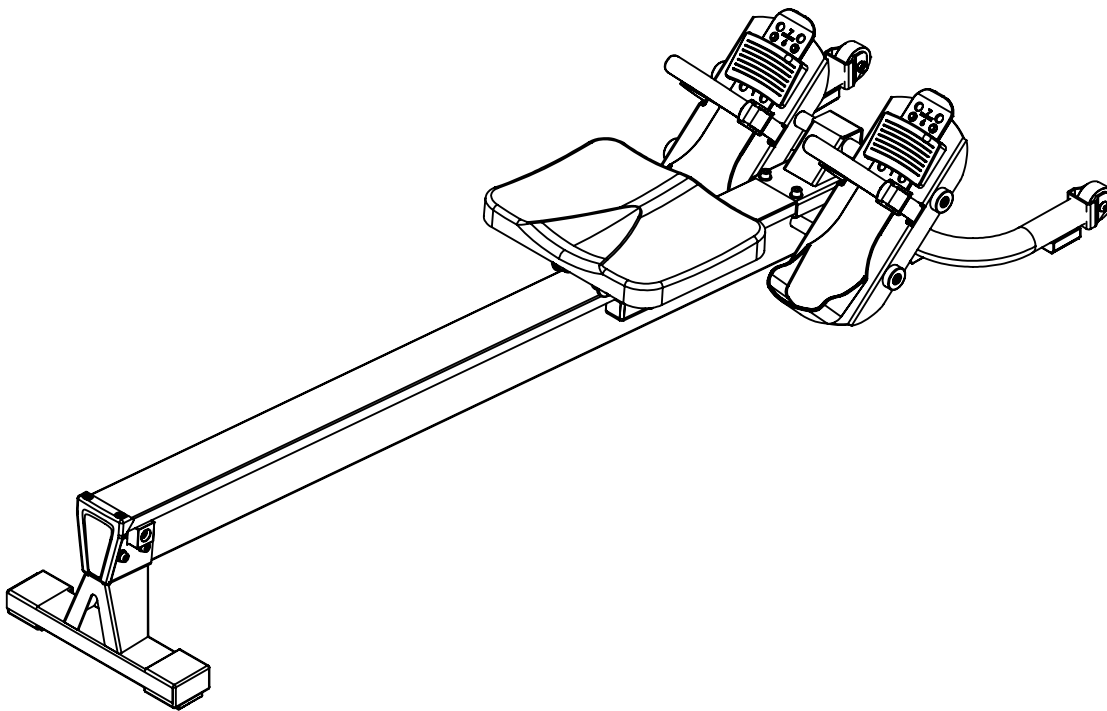


Body-Solid®

Built for Life



G-ROW

Assembly Instructions

OWNER'S & MANUAL

V. G-ROW-20220327

Warning, Safety & Maintenance

Be sure that all users carefully read and understand all warning, safety and maintenance labels on the machine before each use. Failure to do so may result in death or serious injury.

It is imperative that you retain this Owner's Manual and be sure all warning labels are legible and intact. Replacement Owner's Manuals and warning labels are available from your local Body-Solid dealer.

If you have any questions about the operation, set up or maintenance of this machine please call our customer service department at 1 (800) 556-3113.

THERE IS A RISK ASSUMED BY INDIVIDUALS WHO USE THIS TYPE OF EQUIPMENT. TO MINIMIZE RISK, YOU MUST FOLLOW THESE RULES:

1. Inspect equipment before each workout. Check that all nuts, bolts, screws and pop pins are in place and fully tightened. Also, before use, check cables for signs of wear. Replace all worn parts immediately. Never use machine if any parts are damaged or missing. **FAILURE TO FOLLOW THESE RULES MAY RESULT IN SERIOUS INJURY.**
2. Keep clear of the cables and all moving parts when the machine is in use.
3. Always make sure all Snap Links are closed when doing any cable/pulley/strap exercises.
4. Exercise with care. Perform your exercises at a smooth moderate pace; never perform jerky or uncoordinated movements that may cause injury.
5. It is recommended that you should workout with a training partner.
6. Do not allow children or minors to play on or around this equipment.
7. If unsure of proper use of equipment, call your local Body-Solid distributor or the Body-Solid customer service department at 1-800-556-3113.
8. **WARNING:** Consult your physician before starting your exercise program. For your own safety, do not begin any exercise program without proper instruction. RAL8-6-03 WC-54



Table of Contents

- SAFETY INSTRUCTIONS..... PAGE 4
- PREPARATION..... PAGE 5
- PART / HARDWARE LIST..... PAGE 6
- HARDWARE ILLUSTRATION..... PAGE 8
- ASSEMBLY INSTRUCTIONS.....PAGE 12
- EXPLODED VIEW..... PAGE 19
- CONTACT PAGE..... PAGE 20

Important Safety Instructions

Before beginning any fitness program, you should obtain a complete physical examination from your physician.

*Il est conseillé de subir un examen médical complet avant d'entreprendre tout programme d'exercice.
Si vous avez des étourdissements ou des faiblesses, arrêtez les exercices immédiatement.*

Antes de comenzar cualquier programa de ejercicios, deberías tener un examen físico con su doctor.

When using exercise equipment, you should always take basic precautions, including the following:

- Read all instructions before using the **G-ROW**. These instructions are written to ensure your safety and to protect the unit.
- **Do not remove any safety labels from the machine.**
- Do not allow children on or near the equipment.
- Use the equipment only for its intended purpose as described in this guide. Do not use accessory attachments that are not recommended by the manufacturer. Such attachments might cause injuries.
- Wear proper exercise clothing and shoes for your workout, no loose clothing.
- Keep hands, limbs, loose clothing, and long hair well out of the way of all moving parts.
- Use care when getting on or off the unit.
- Do not overexert yourself or work to exhaustion.
- If you feel any pain or abnormal symptoms, stop your workout immediately and consult your physician.
- Never operate unit when it has been dropped or damaged. Return the equipment to a service center for examination and repair.
- Never drop or insert objects into any opening in the equipment.
- Always check the unit and its cables before each use. Make sure that all fasteners and cables are secure and in good working condition.
- Do not use the equipment outdoors or near water.

Personal Safety During Assembly

- Before beginning assembly, please take the time to read the instructions thoroughly.
- Read each step in the assembly instructions and follow the steps in sequence. Do not skip ahead. If you skip ahead, you may learn later that you have to disassemble components and that you may have damaged the equipment.
- Assemble and operate the **G-ROW** on a solid, level surface. Locate the unit a few feet from the walls or furniture to provide easy access.

The **G-ROW** is designed for your enjoyment. By following these precautions and using common sense, you will have many safe and pleasurable hours of healthful exercise with your Body-Solid .

After assembly, you should check all functions to ensure correct operation. If you experience problems, first recheck the assembly instructions to locate any possible errors made during assembly. If you are unable to correct the problem, call the dealer from whom you purchased the machine or call **1-800-556-3113** for the dealer nearest you.

Obtaining Service

Please use this Owner's Manual to make sure that all parts have been included in your shipment. When ordering parts, you must use the part number and description from this Owner's Manual. Use only Body-Solid replacement parts when servicing this machine. Failure to do so will void your warranty and could result in personal injury.

For information about product operation or service, check out the official Body-Solid website at www.bodysolid.com or contact an authorized Body-Solid dealer or a Body-Solid factory-authorized service company or contact Body-Solid customer service at one of the following:

Toll Free: 1-800-556-3113
Phone: 1-708-427-3555
Fax: 1-708-427-3556
Hours: M-F 8:30-5:00 CST
E-Mail: service@bodysolid.com

Or write to: Body-Solid, Inc.
Service Department
1900 S. Des Plaines Ave.
Forest Park, IL 60130 USA

Retain this Owner's Manual for future reference. If you need to order replacement parts please be prepared to provide the following information when contacting us so that we can assist you better.

- 1. Model Number**
- 2. Place of Purchase**
- 3. Serial Number (S/N)**
- 4. Part # and Description**

Preparation

Thank you for purchasing the **G-ROW**. This Product is part of the Body-Solid line of quality strength training machines, which lets you target specific muscle groups to achieve better muscle tone and overall body conditioning. To maximize your use of the equipment please study this Owner's Manual thoroughly.

Required Tools

The basic tools that you must obtain before assembling the **G-ROW** include but are not limited to:

- Standard Wrench Set
- Metric Wrench Set
- Adjustable Wrench

Installation Requirements

Follow these installation requirements when assembling the **G-ROW**:

Set up the **G-ROW** on a solid, flat surface. A smooth, flat surface under the machine helps keep it level. A level machine has fewer malfunctions.

Provide ample space around the machine. Open space around the machine allows for easier access.

Insert all bolts in the same direction. For aesthetic purposes, insert all bolts in the same direction unless specified (in text or illustrations) to do otherwise.

Leave room for adjustments. Tighten fasteners such as bolts, nuts, and screws so the unit is stable, but leave room for adjustments. Do not fully tighten fasteners until instructed in the assembly steps to do so.

Fill out and mail the warranty card.

Assembly Tips

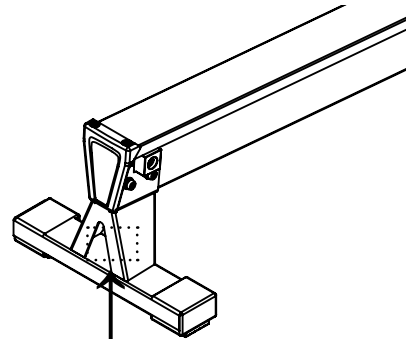
Read all "Notes" on each page before beginning each step.

While you may be able to assemble the **G-ROW** using the illustrations only, important safety notes and other tips are included in the text.

Some pieces may have extra holes that you will not use. Use only those holes indicated in the instructions and illustrations.

NOTE: With so many assembled parts, proper alignment and adjustment is critical. While tightening the nuts and bolts, be sure to leave room for adjustments.

CAUTION: Obtain assistance! If you feel like you can't assemble the **G-ROW** by yourself then do not attempt to do so as this could result in injury. Review the installation requirements before proceeding with the following steps.



Your S/N# can
be found here

Body-Solid continually seeks ways to improve the performance, specifications and product manuals in order to ensure that only superior products are released from our factories. Please take the time to carefully read through this manual thoroughly. Instructions contained in this document are not intended to cover all details or variations possible with Body-Solid equipment, or to cover every contingency that may be met in conjunction with installation, operation, maintenance or troubleshooting of the equipment. Even though we have prepared this manual with extreme care, neither the publisher nor the author can accept responsibility for any errors in, or omission from, the information given. Should additional information be required, or should situations arise that are not covered by this manual, the matter should be directed to your local Body-Solid representative, or the Service Department at Body-Solid Inc. in Forest Park, Illinois.

G - R O W P a r t s & H a r d w a r e L i s t

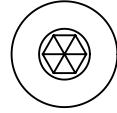
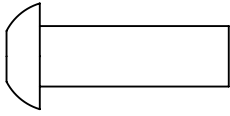
Part#	Qty	Description
A	1	MAIN FRAME
B	1	REAR STABILIZER
C	1	FRONT STABILIZER
D	1	RAIL
E	1	SEAT CARRIAGE
F	2	FOOT PEDAL
G	2	CENTER BRACKET
H	1	CROSSBAR
1	2	M8x110mm SOCKET HEAD CAP SCREW
2	6	M8x55mm BUTTON HEAD CAP SCREW
3	2	M8x40mm BUTTON HEAD CAP SCREW
4	4	M8x35mm SOCKET HEAD CAP SCREW
5	2	M8x25mm BUTTON HEAD CAP SCREW
6	4	M8x22mm LOW SOCKET HEAD CAP SCREW
7	4	M8x20mm SOCKET HEAD CAP SCREW
8	6	M8x20mm BUTTON HEAD CAP SCREW
9	4	M6x16mm SOCKET HEAD CAP SCREW
10	2	M6x16mm PHILLIPS FLAT HEAD SCREW
11	4	M5x12mm PHILLIPS FLAT HEAD SCREW
12	8	ST4.2x10mm PHILLIPS HEAD SCREW
13	6	M8 CURVE WASHER
14	24	M8 WASHER
15	12	M8 LOCK WASHER
16	10	M8 NYLON LOCK NUT
17	2	FOOT CAP
18	1	RAIL END CAP
19	2	STOPPER BUMPER
20	4	RUBBER PAD
21	6	SPACER, $\varnothing 8.2 \times \varnothing 12 \times 3.2 \text{mm}$
22	4	SEAT ROLLER
23	2	SPACER, $\varnothing 8.2 \times \varnothing 12 \times 71.6 \text{mm}$
24	6	BEARING 608ZZ
25	2	ROLLER SLEEVE
26	2	GUIDE ROLLER

G - R O W P a r t s & H a r d w a r e L i s t

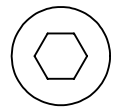
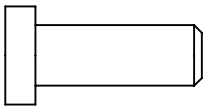
Part#	Qty	Description
27	2	TRANSPORT WHEEL
28	1	SEAT
29	2	PEDAL STRAP PROTECTOR
30	2	PEDAL STRAP STOPPER PLATE
31	1	SHAFT, \varnothing 16x398mm
32	1	SHAFT, \varnothing 12x398mm
33	4	FOOT PEDAL END CAP
34	2	FOOT PEDAL
35	2	FOOT PEDAL HOLDER
36	2	FOOT PEDAL STRAP

G-R-O-W Hardware Illustration

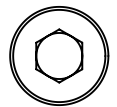
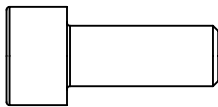
Part #5 BUTTON HEAD CAP SCREW M8x25mm QTY. 2
PRE-ASSEMBLED



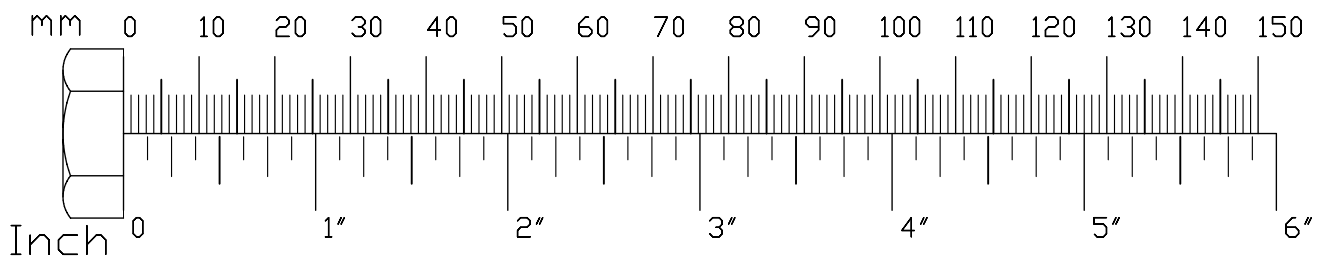
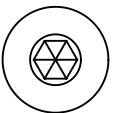
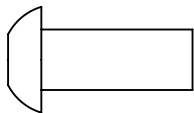
Part #6 LOW SOCKET HEAD CAP SCREW M8x22mm QTY. 4
PRE-ASSEMBLED



Part #7 SOCKET HEAD CAP SCREW M8x20mm QTY. 4

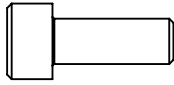


Part #8 BUTTON HEAD CAP SCREW M8x20mm QTY. 6

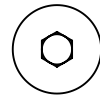
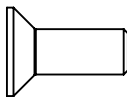


G-R-O-W Hardware Illustration

Part #9 SOCKET HEAD CAP SCREW M6x16mm QTY. 4
 PRE-ASSEMBLED



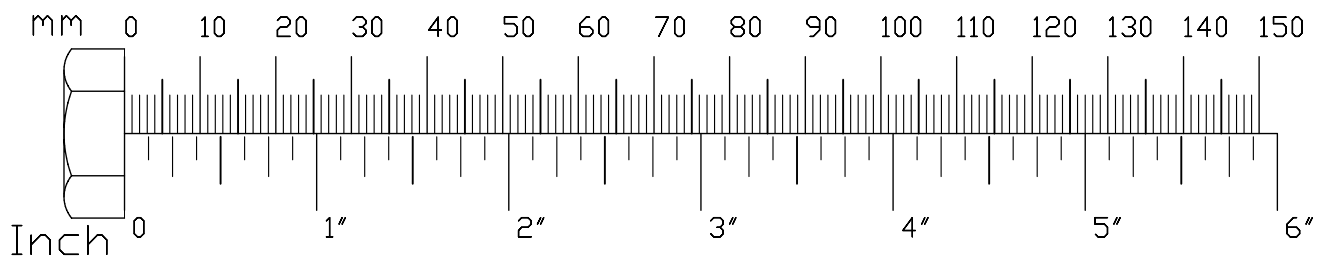
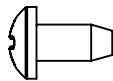
Part #10 PHILLIPS HEAD CAP SCREW M6x16mm QTY. 2
 PRE-ASSEMBLED



Part #11 PHILLIPS HEAD CAP SCREW M5x12mm QTY. 4
 PRE-ASSEMBLED



Part #12 PHILLIPS HEAD CAP SCREW ST4.2x10mm QTY. 8
 PRE-ASSEMBLED

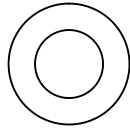


G-R O W Hardware Illustration

Part #13

CURVE WASHER M8

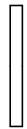
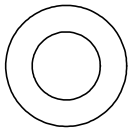
QTY. 6



Part #14

FLAT WASHER M8

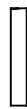
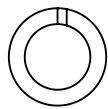
QTY. 22



Part #15

LOCK WASHER M8

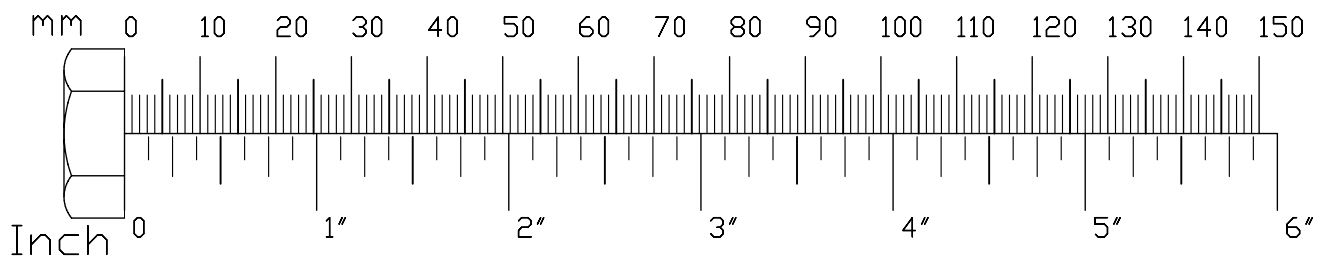
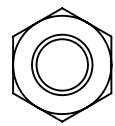
QTY. 12



Part #16

NYLON LOCK NUT M8

QTY. 10



STEP

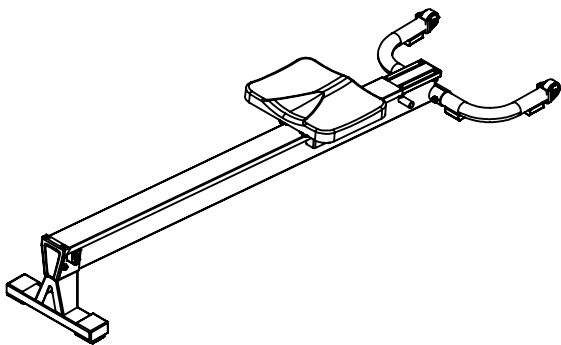
1

Be careful to assemble all components in the sequence they are presented.

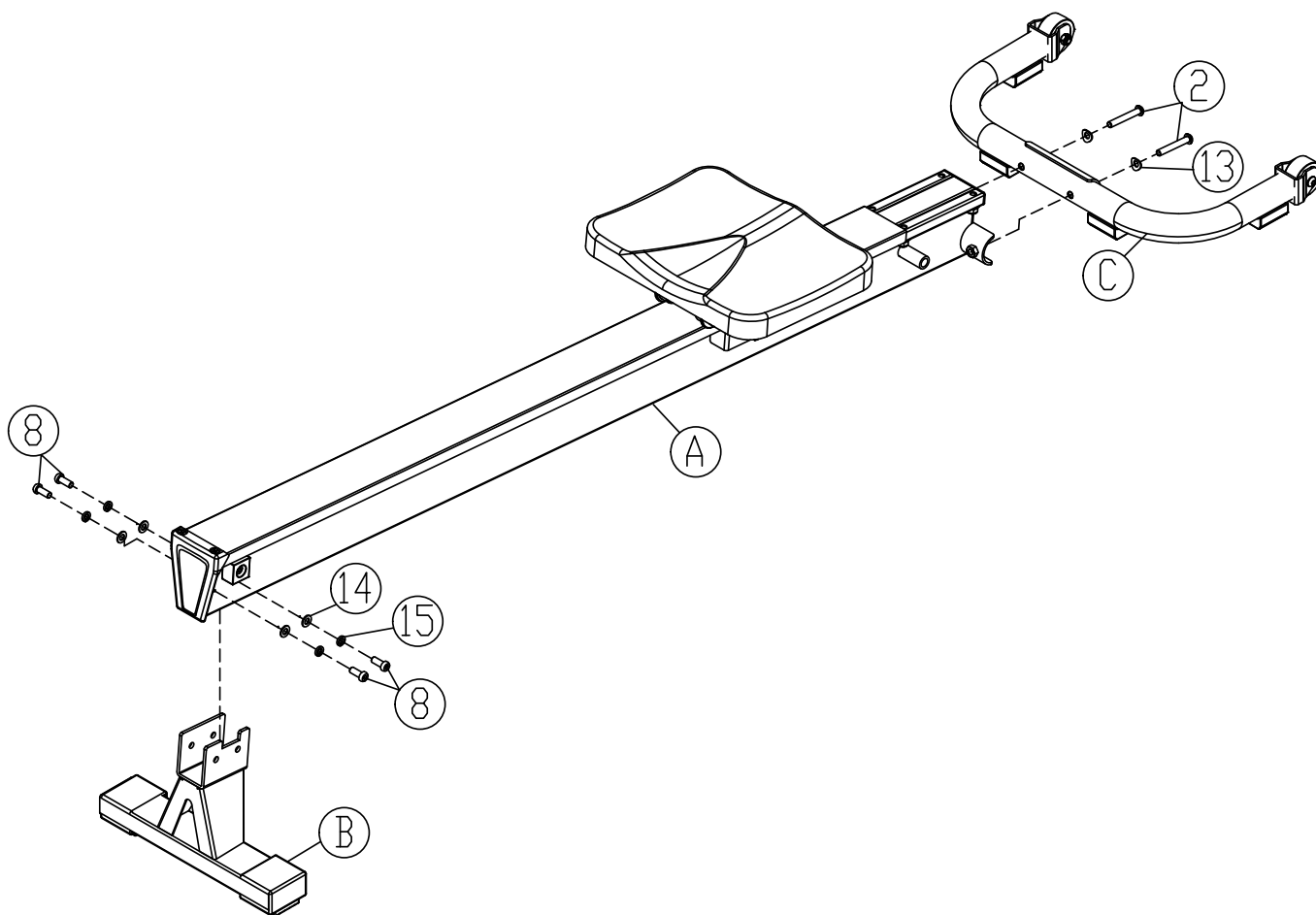
NOTE:

Wrench tighten ALL hardware at the end of STEP 1B. Some components may be pre-assembled. Nylon lock nuts will not fully screw onto bolts, they must be wrench tighten to fully go on.

- 1A.** Attach Front Stabilizer **(C)** to Main Frame **(A)** using:
2 - (#2) M8x55mm Button Head Cap Screw
2 - (#13) M8 Curve Washer
- 1B.** Attach Rear Stabilizer **(B)** to Main Frame **(A)** using:
4 - (#8) M8x20mm Button Head Cap Screw
4 - (#14) M8 Washer
4 - (#15) M8 Lock Washer



Above shows Step 1 assembled and completed.



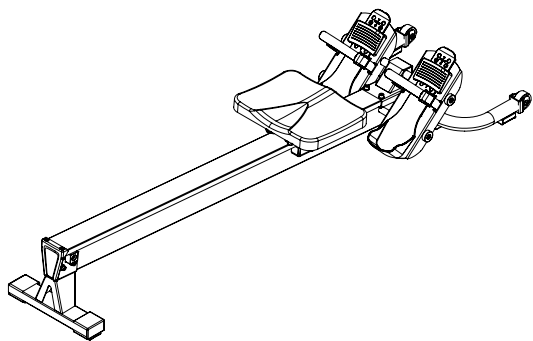
STEP**2**

Be careful to assemble all components in the sequence they are presented.

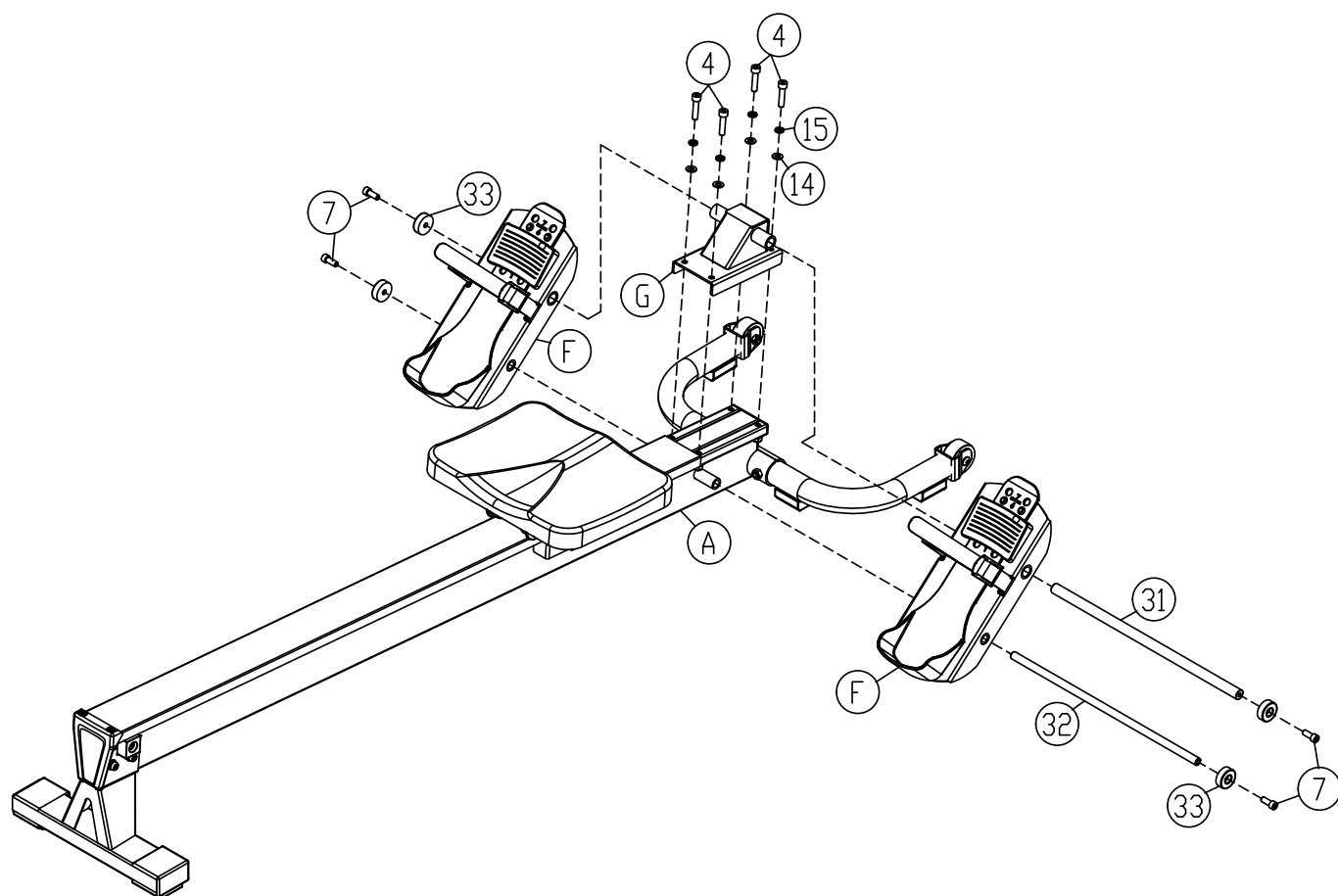
NOTE:

Wrench tighten ALL hardware at the end of STEP 2B. Some components may be pre-assembled. Nylon lock nuts will not fully screw onto bolts, they must be wrench tighten to fully go on.

- 2A.** Attach Center Bracket (**G**) to Main Frame (**A**) using:
- 4 - (#4) M8x35mm Socket Head Cap Screw**
 - 4 - (#14) M8 Washer**
 - 4 - (#15) M8 Lock Washer**
- 2B.** Attach Foot Pedals (**F**) to Main Frame (**A**) & Center Bracket (**G**) using:
- 4 - (#7) M8x20mm Socket Head Cap Screw**
 - 4 - (#33) Foot Pedal End Cap**
 - 1 - (#31) Shaft, \varnothing 16x398mm**
 - 1 - (#32) Shaft, \varnothing 12x398mm**



Above shows Step 2 assembled and completed.



STEP**3**

Be careful to assemble all components in the sequence they are presented.

NOTE:

Wrench tighten ALL hardware at the end of STEP 3A. Some components may be pre-assembled. Nylon lock nuts will not fully screw onto bolts, they must be wrench tighten to fully go on.

OPTIONAL STEP:

If you need more space between the machines to have more range of motion during exercise, please follow below instruction to install the Crossbar (H).

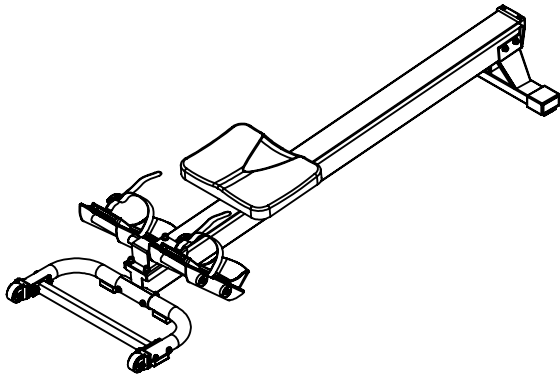
3A. Attach Crossbar (H) to Front Stabilizer (C) using:

4 - (#2) M8x55mm Button Head Cap Screw

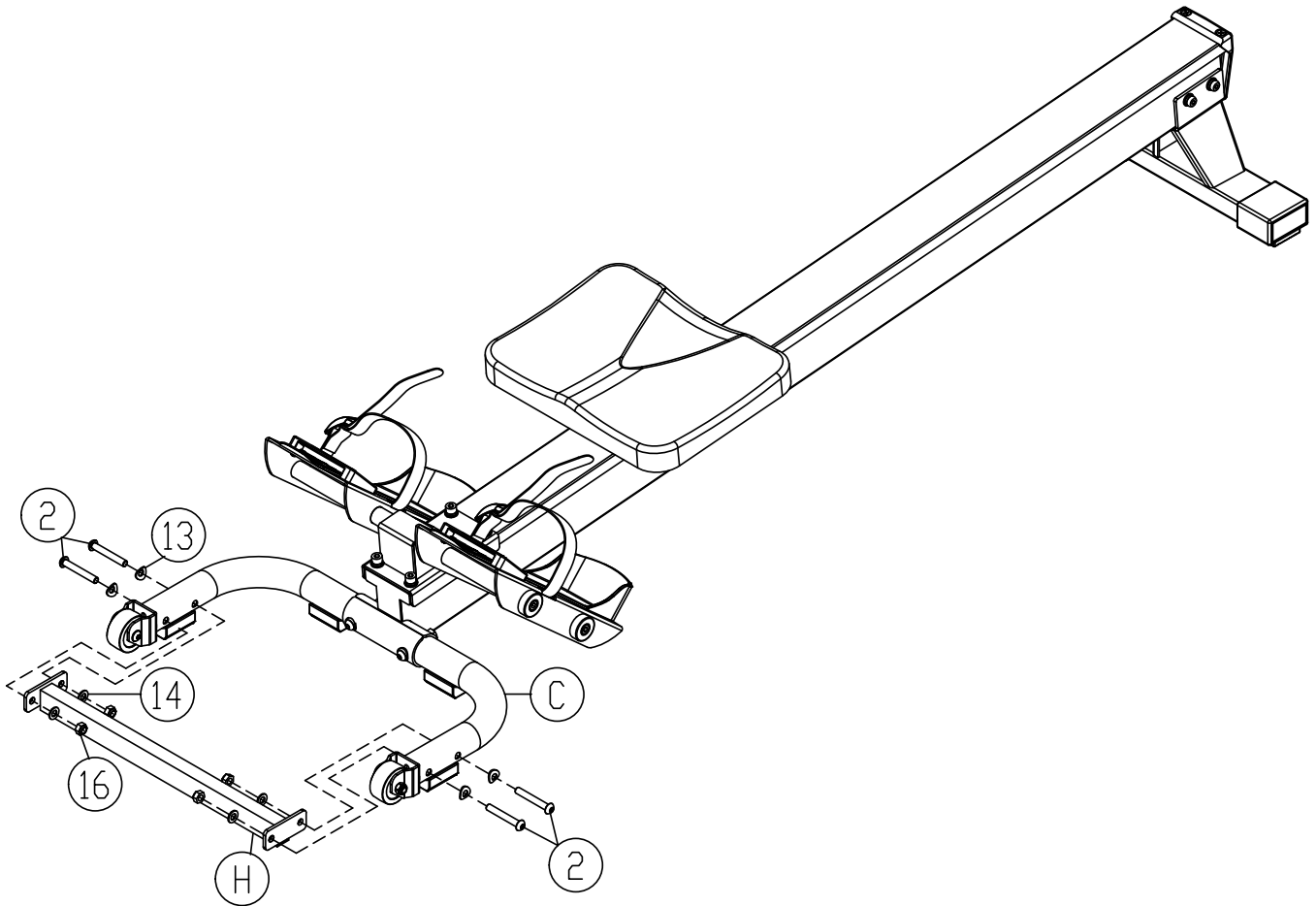
4 - (#13) M8 Curve Washer

4 - (#14) M8 Washer

4 - (#16) M8 Nylon Lock Nut

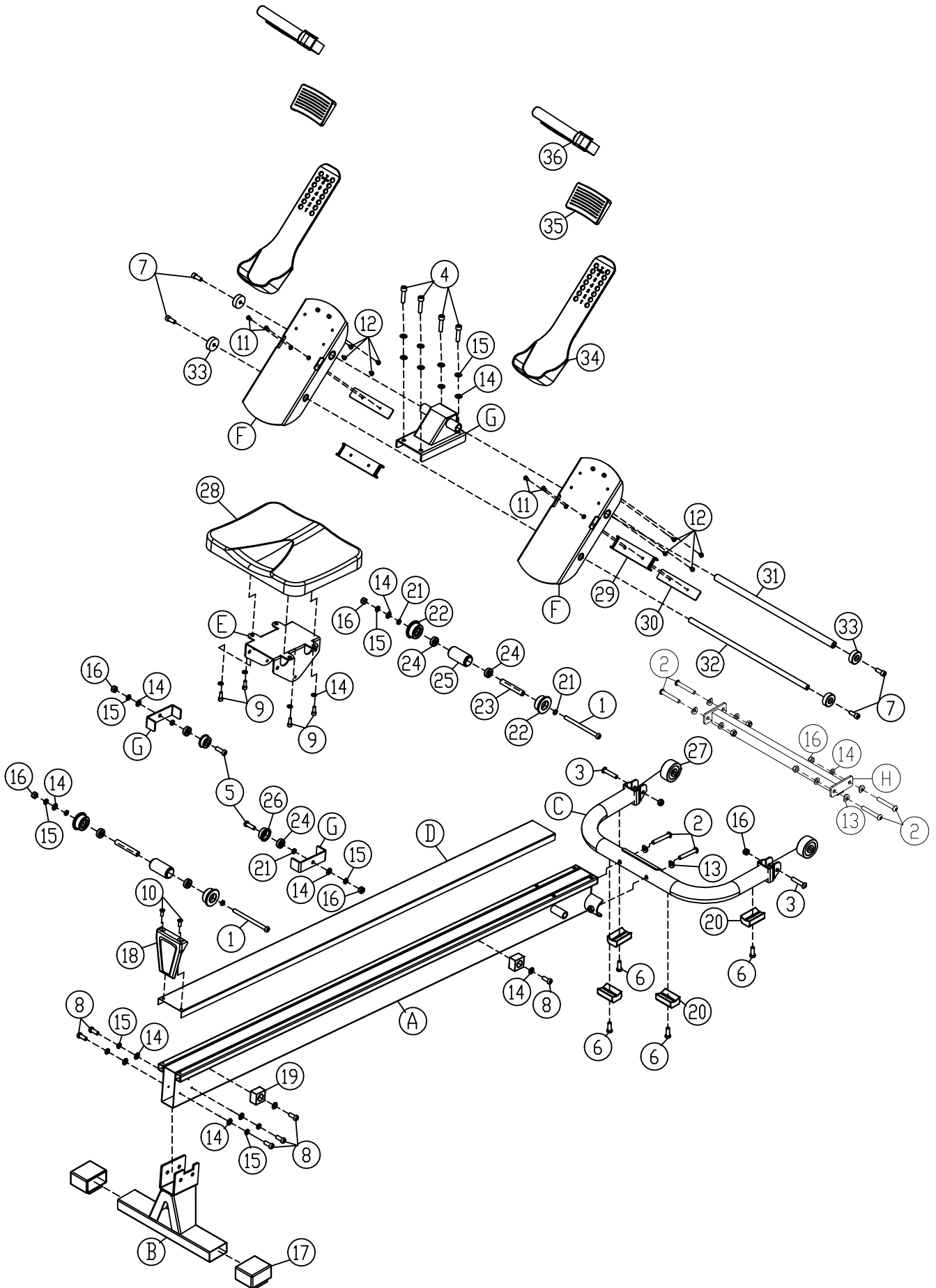


Above shows Step 3 assembled and completed.



Notes

G-ROW Exploded View





G-R-O-W

PLEASE WRITE YOUR SERIAL NUMBER IN THE BOXES BELOW

S/N # 018099----

1900 S. Des Plaines Ave.
Forest Park, IL 60130
Phone:(708)427-3555
Fax:(708)427-3556
Hours: M-F 8:30 - 5:00 CST

www.bodysolid.com