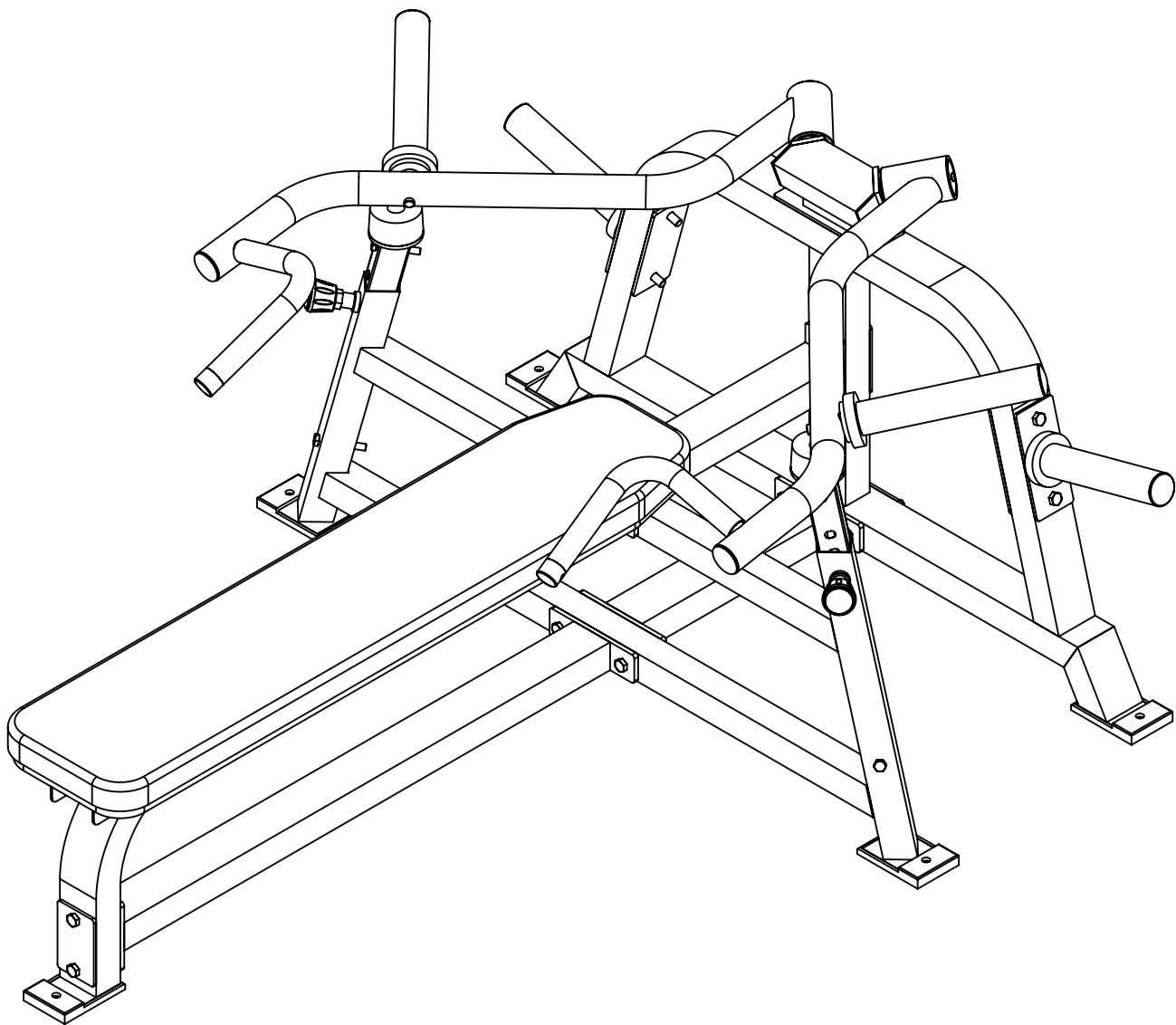


Body-Solid®

Built for Life



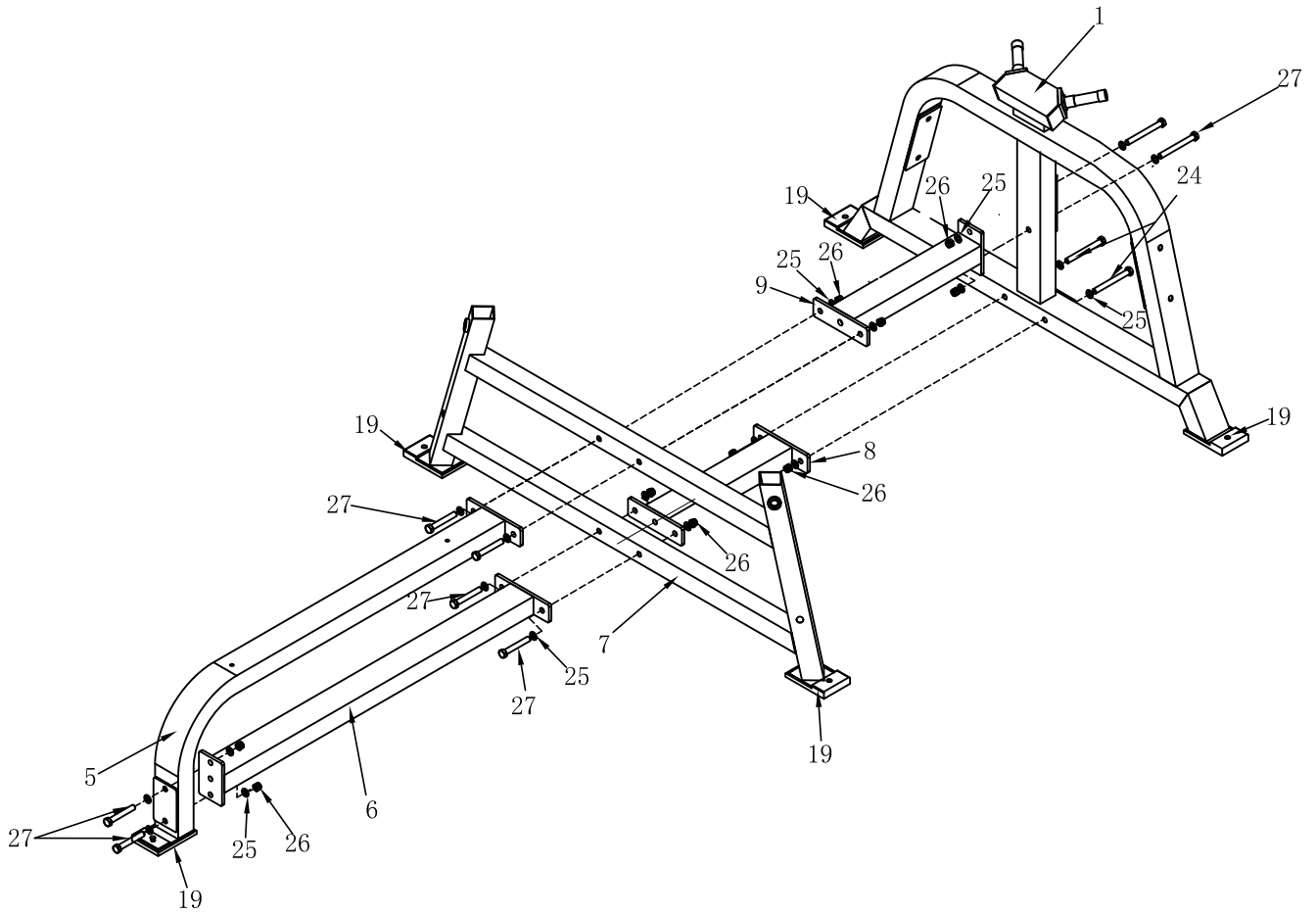
LVBP

Assembly & Instructions

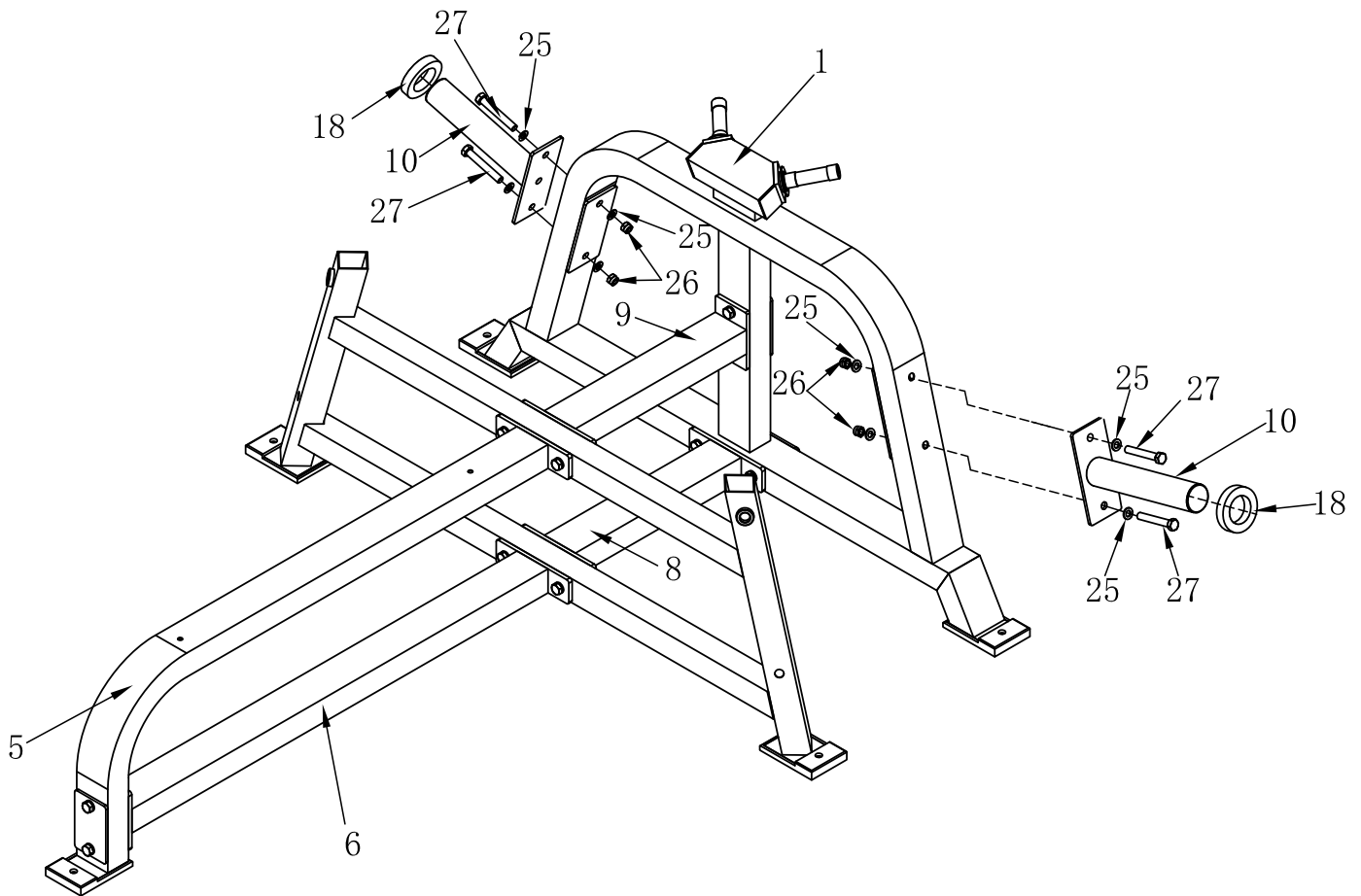
OWNER'S & MANUAL

V. LVBP-061818

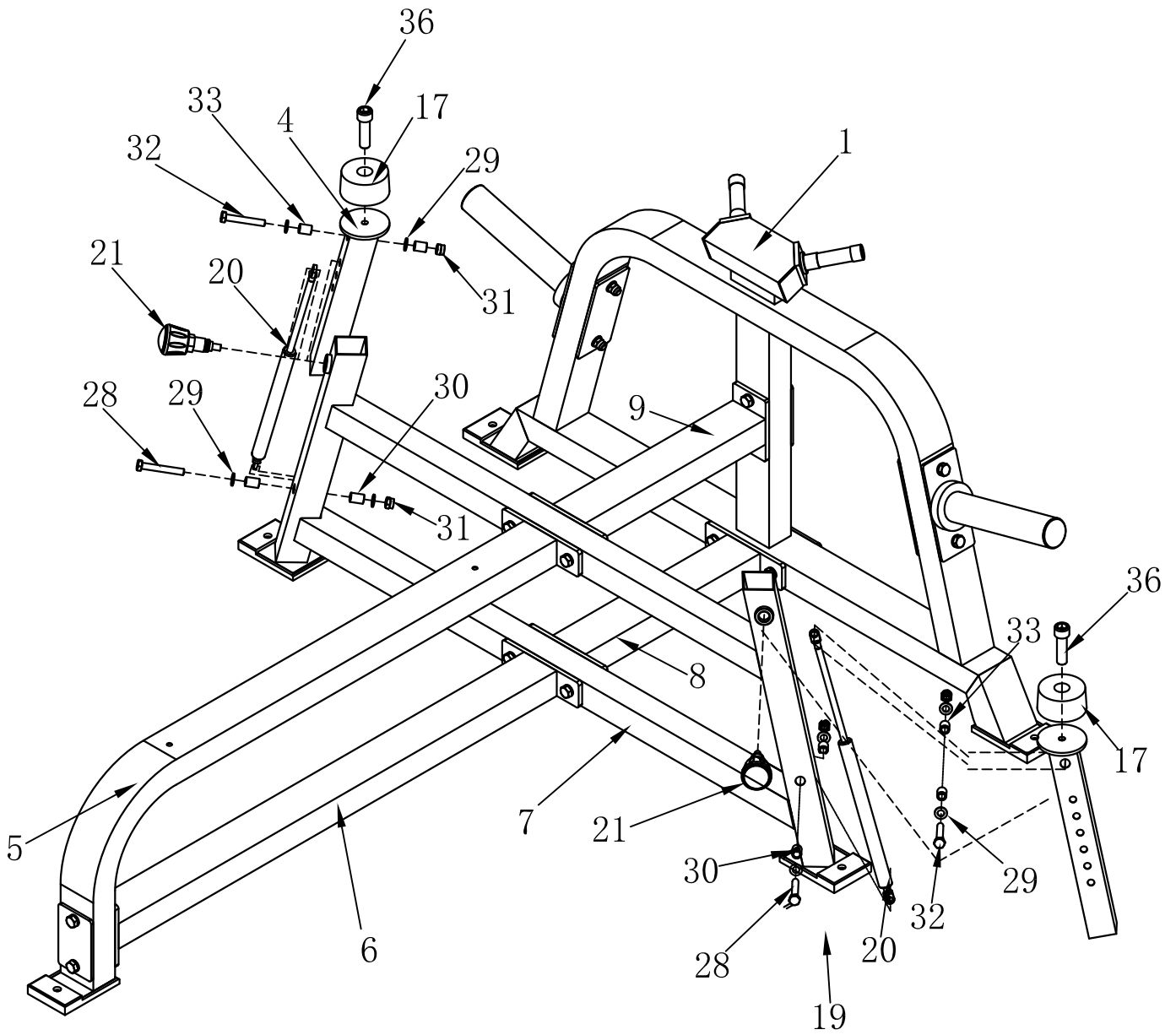
STEP 1



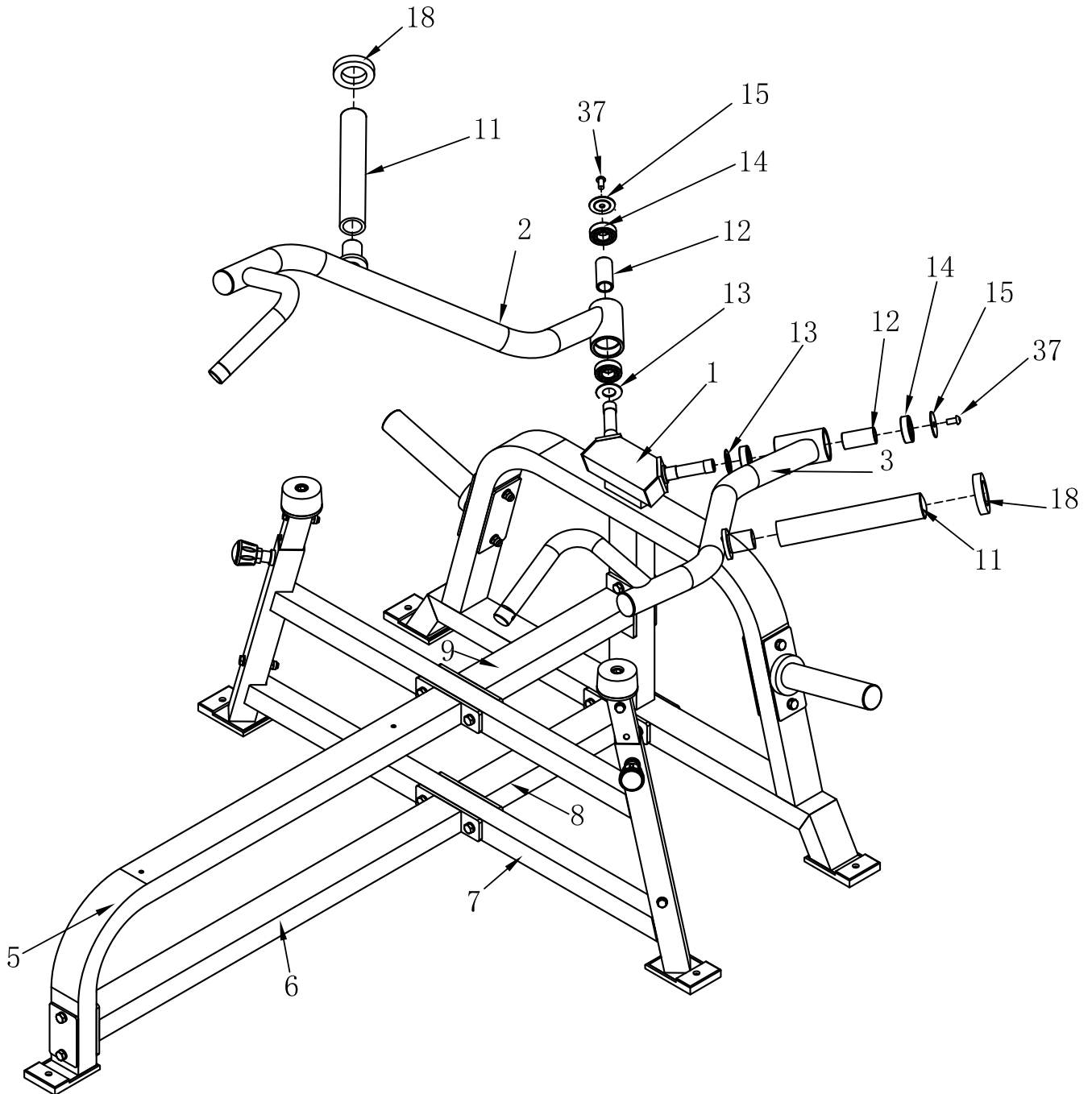
STEP 2



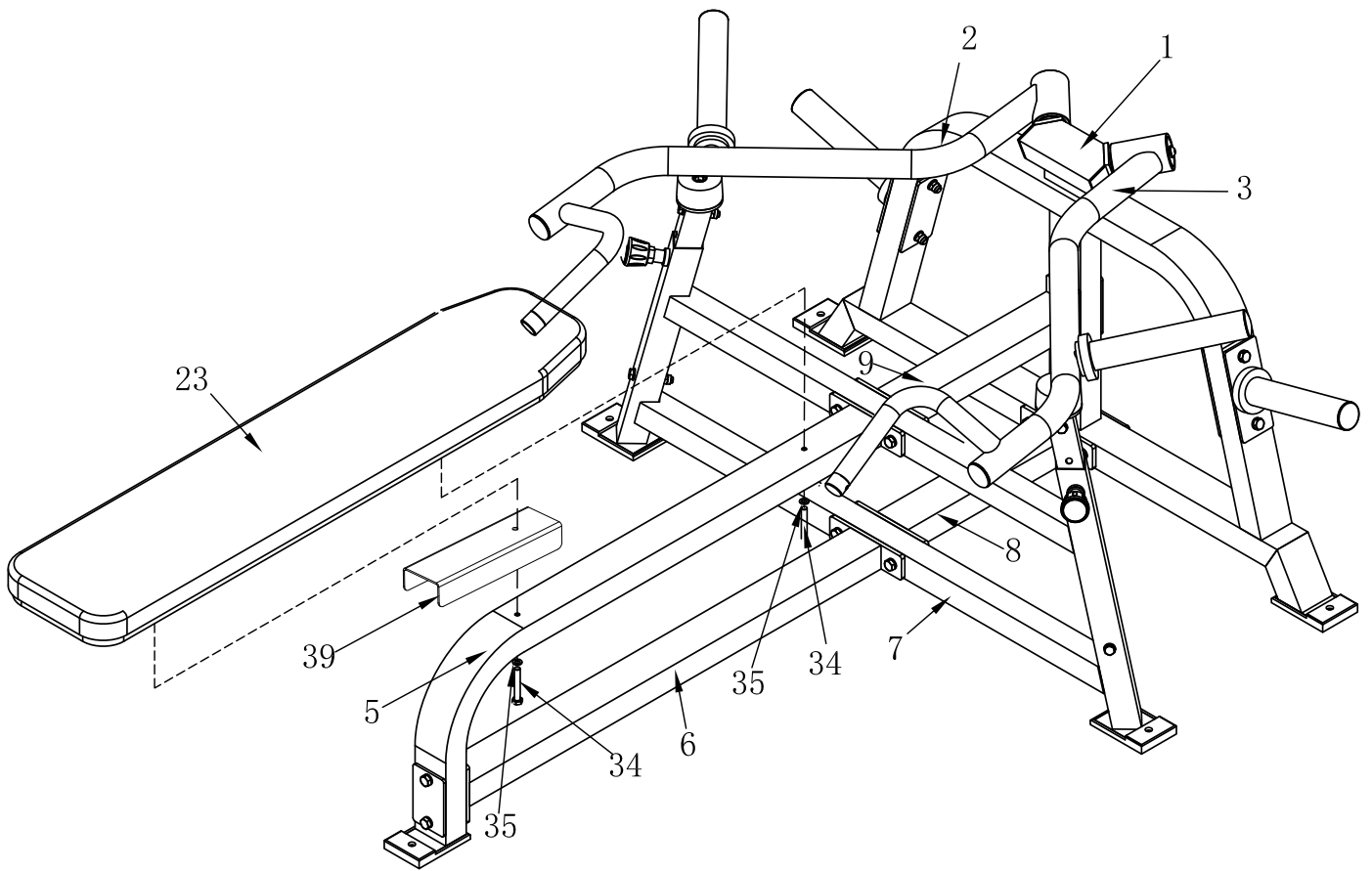
STEP 3



STEP 4



STEP 5



LVBP PART LIST

No.	Description	Qty
1	Rear Main Frame	1
2	Left Press Arm	1
3	Right Press Arm	1
4	Left Adjustable Tube	2
5	Upper Support Frame	1
6	Lower Support Frame	1
7	Front Main Frame	1
8	Lower Connecting Frame	1
9	Upper Connecting Frame	1
10	Weight Horn A	2
11	Weight Horn B	2
12	Right Adjustable Tube	1
13	Washer, $\varnothing 25.5 \times \varnothing 51 \times 3 \text{mm}$	2
14	Bearing	4
15	Washer, $\varnothing 10.5 \times \varnothing 51 \times 3 \text{mm}$	2
16	End Cap	2
17	Rubber Bumper	2
18	Rubber Donut	4
19	Foot Cap	5
20	Gas Spring	2

No.	Description	Qty
21	Pop Pin	2
22	Foam Grip	2
23	Pad	1
24	M12x110mm Hex Head Bolt	2
25	M12 Washer	30
26	M12 Nylon Lock Nut	14
27	M12x85mm Hex Head Bolt	12
28	M10x70mm Hex Head Bolt	2
29	M10 Washer	8
30	$\varnothing 15 \times 22 \text{mm}$ Spacer	4
31	M10 Nylon Lock Nut	4
32	M10x65mm Hex Head Bolt	2
33	$\varnothing 15 \times 19.5 \text{mm}$ Spacer	4
34	M8*80 Hex Head Bolt	2
35	M8 Washer	2
36	M12x30mm Socket Head Cap Screw	2
37	M10x20mm Socket Head Cap Screw	2
38	M4x8mm Phillips Screw	2
39	Bracket	1