

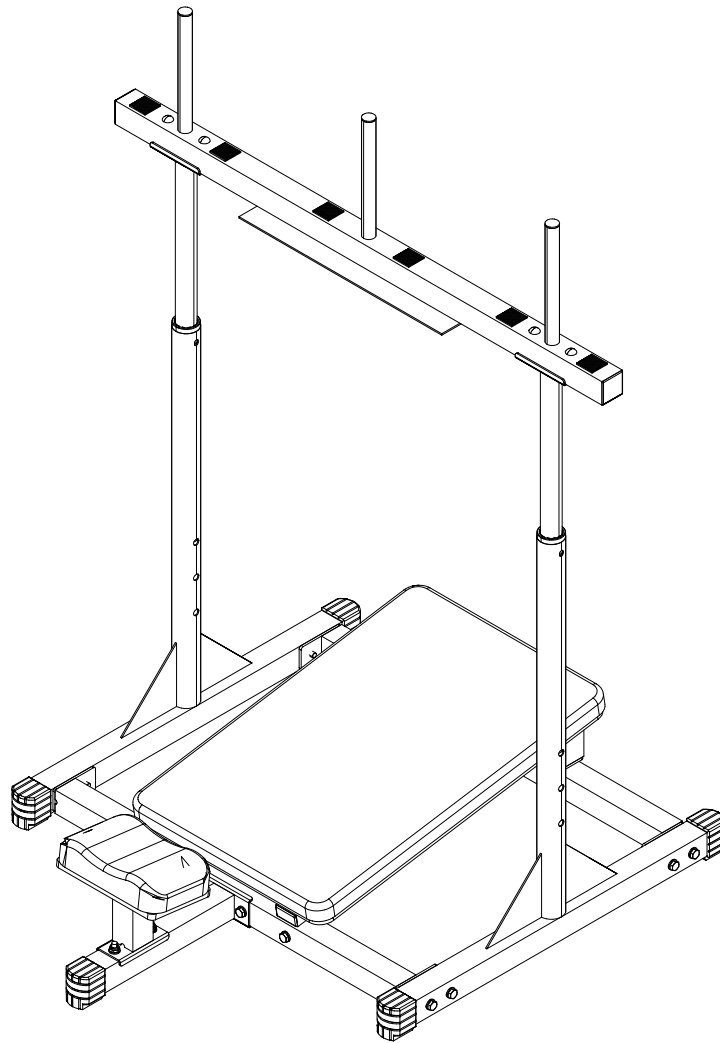
# POWERLINE <sup>USA</sup>

by *Body-Solid*

## PVLP-156X

### VERTICAL LEG PRESS

#### OWNER'S MANUAL



[WWW.BODYSOLID.COM](http://WWW.BODYSOLID.COM)

V 041211.A

**THERE IS A RISK ASSUMED BY INDIVIDUALS WHO USE THIS TYPE OF EQUIPMENT. TO MINIMIZE RISK, YOU MUST FOLLOW THESE RULES:**

Inspect equipment before each workout. Check that all nuts, bolts, screws and pop pins are in place and fully tightened. Also, before use, check cables for sign of wear. Replace all worn parts immediately. Never use machine if any parts are damaged or missing.

**FAILURE TO FOLLOW THESE RULES MAY RESULT IN SERIOUS INJURY.**

Keep clear of the cables and all moving parts when machine is in use.

Always make sure all Snap Links are closed when doing cable/pulley/strap exercises.

Exercise with care. Perform your exercises at a smooth moderate pace; never perform jerky or uncoordinated movements that may cause injury.

It is recommended that you workout with a training partner.

Do not allow children or minors to play on or around this equipment.

If unsure of proper use of equipment, call your local Body-Solid distributor or the Body-Solid customer service center at 1-800-556-3113.

**WARNING:** Consult your physician before starting your exercise program. For your own safety, do not begin any exercise program without proper instruction.

## **WARNING**

### **Safety and Maintenance of Cables**

**IMPORTANT:** Cables are wear items. It is your responsibility to prevent unexpected breakage.

**Cable inspection should be performed daily.**

Inspect all cables, the nylon coating on all cables, and the area near the fitting at each end of each cable.

**Replace any damaged or worn cable immediately.**

Do not allow the machine to be used until damaged or worn cables are replaced. Using or allowing a machine to be used with a suspect cable can result in serious injury. See Owner's Manual for more information.

For Body-Solid Customer Service  
**Call 1-800-556-3113**

**DO NOT REMOVE WARNING LABELS FROM  
MANUAL OR MACHINE**

# **PVLP-156X**

## **TABLE OF CONTENTS**

- **SAFETY INSTRUCTIONS.....PAGE 4**
- **PREPARATION..... PAGE 5**
- **HARDWARE LIST..... PAGE 6**
- **HARDWARE ILLUSTRATION..... PAGE 7**
- **PART LIST / ILLUSTRATION.....PAGE 10**
- **ASSEMBLY INSTRUCTIONS..... PAGE 12**
- **EXPLODED VIEW..... PAGE 20**
- **CONTACT PAGE.....PAGE 22**

# PVLP-156X

## SAFETY INSTRUCTIONS

**WHEN USING EXERCISE EQUIPMENT,  
YOU SHOULD ALWAYS TAKE BASIC  
PRECAUTIONS INCLUDING THE  
FOLLOWING:**

- Read all instructions before using the PVLP-156X. These instructions are written to ensure your safety and to protect the unit.
- **Do not remove any safety labels from the machine.**
- Do not allow children on or near the equipment.
- Use the equipment only for its intended purpose as described in this guide. Do not use accessory attachments that are not recommended by the manufacturer. Such attachments might cause serious injuries.
- Wear proper exercise clothing and shoes for your workout, no loose clothing.
- Keep hands, limbs, loose clothing, and long hair well out of the way of all moving parts
- Use care when getting on or off the unit.
- Do not overexert yourself or work to exhaustion.
- If you feel any pain or abnormal symptoms, stop your workout immediately and consult your physician.
- Never operate unit when it has been dropped or damaged. Return the equipment to a service center for examination and repair.
- Never drop or insert objects into any opening in the equipment.
- Always check the unit and its cables before each use. Make sure that all fasteners and cables are secure and in good working condition.
- Do not use the equipment outdoors or near water.

**PERSONAL SAFETY DURING ASSEMBLY**

- Before beginning assembly, please take the time to read the instructions thoroughly.
- Read each step in the assembly instructions and follow the steps in sequence. Do not skip ahead. If you skip ahead, you may learn later that you have to disassemble components and that you may have damaged the equipment
- Assemble and operate the PVLP-156X on a solid, level surface. Locate the unit a few feet from the walls or furniture to provide easy access.

The PVLP-156X is designed for your enjoyment. By following these precautions and using common sense, you will have many safe and pleasurable hours of healthful exercise with your Powerline Vertical Leg Press.

After assembly, you should check all functions to ensure correct operation. If you experience problems, first recheck the assembly instructions to locate any possible errors made during assembly. If you are unable to correct the problem, call the dealer from whom you purchased the machine or call 1-800-556-3113 for the dealer nearest you.

**OBTAINING SERVICE**

Please use this Owner's Manual to make sure that all parts have been included in your shipment. When ordering parts, you must use the part number and description from this Owner's Manual. Use only Powerline by Body Solid replacement parts when servicing this machine. Failure to do so will void your warranty and could result in personal injury.

For information about product operation or service, check out the official Powerline website at [www.bodysolid.com](http://www.bodysolid.com) or contact an authorized Powerline dealer or a Powerline factory-authorized service company or contact Body-Solid customer service at one of the following:

Toll Free: 1-800-556-3113  
Phone: 1-708-427-3555  
Fax: 1-708-427-3556  
Email: [service@bodysolid.com](mailto:service@bodysolid.com)

Or write to: Body-Solid, Inc.  
Service Department  
1900 S. Des Plaines Ave.  
Forest Park, IL 60130 USA

**RETAIN THIS OWNER'S MANUAL FOR  
FUTURE REFERENCE. PART NUMBERS  
ARE REQUIRED WHEN ORDERING PARTS.**

# PVLP-156X

## PREPARATION

### REQUIRED TOOLS

The basic tools that you must obtain before assembling the PVLP-156X include but are not limit to:

- Standard Wrench Set
- Metric Wrench Set
- Adjustable Wrench
- Standard / Metric Allen Key Set

### INSTALLATION REQUIREMENTS

Follow these installation requirements when assembling the PVLP-156X:

Set up the PVLP-156X on a solid, flat surface. A smooth, flat surface under the machine helps keep it level.

Provide ample space around the machine. Open space around the machine allows for easier access.

For aesthetic purposes, insert all bolts in the same direction unless specified (in text or illustrations) to do otherwise.

Leave room for adjustments. Tighten fasteners such as bolts, nuts, and screws so the unit is stable, but leave room for adjustments. Do not fully tighten fasteners until instructed in the assembly steps to do so.

Fill out and mail the warranty card.

### ORDERING REPLACEMENT PARTS

If you need to order replacement parts please be prepared to provide the following information when contacting us so that we can assist you better.

1. Model Number
2. Place of Purchase
3. Serial Number (S/N)
4. Part # and Description

### ASSEMBLY TIPS

Read all “Notes” on each page before beginning each step.

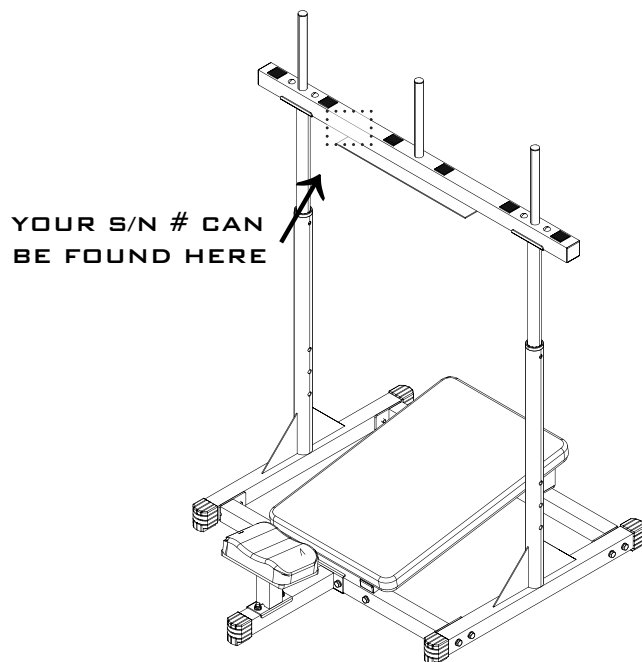
While you may be able to assemble the PVLP-156X using the illustrations only, important safety notes and other tips may be included in the text.

Some pieces may have extra holes that you will not use. Use only those holes indicated in the instructions and illustrations.

**NOTE:** With so many assembled parts, proper alignment and adjustment is critical. While tightening the nuts and bolts, be sure to leave room for adjustments.

**NOTE:** The bottles that are marked “Poison” is your touch up paint. Keep away from children.

**CAUTION:** Obtain assistance! If you feel like you can't assemble the PVLP-156X by yourself then do not attempt to do so as this could result in injury. Review the Installation Requirements before proceeding with the following steps.



# PVLP-156X

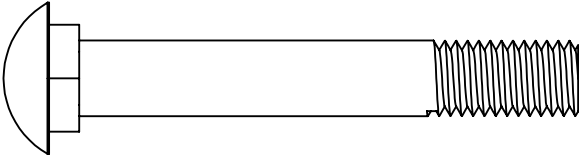
## HARDWARE LIST

<u>PART #</u>	<u>SIZE</u>	<u>DESCRIPTION</u>	<u>QUANTITY</u>
1	M10X70mm	CARRIAGE BOLT	6 PCS.
2	M10X70mm	HEX HEAD BOLT	6 PCS.
3	M10X65mm	HEX HEAD BOLT	8 PCS.
4	M8X45mm	HEX HEAD BOLT	4 PCS.
5	M8X25mm	HEX HEAD BOLT	4 PCS.
6	M10	NYLON LOCK NUT	12 PCS.
7	M10	WASHER	24 PCS.
8	M8	WASHER	8 PCS.
9	M8	SPRING WASHER	8 PCS.
10	2"X2"	FOOT CAP	5 PCS.
11	2"X2"	END CAP	2 PCS.
12	1"X2"	END CAP	4 PCS.
13	1"	ROUND END CAP	3 PCS.
14	38X38mm	RUBBER BAR CATCH	6 PCS.
15	12X70mm	PIN	2 PCS.
16		SMALL BUSHING	2 PCS.
17		LARGER BUSHING	2 PCS.

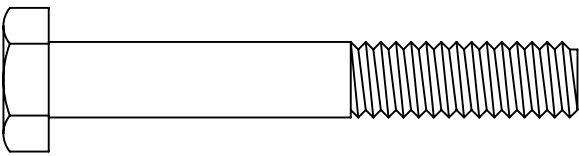
# PVLP-156X

## HARDWARE ILLUSTRATION

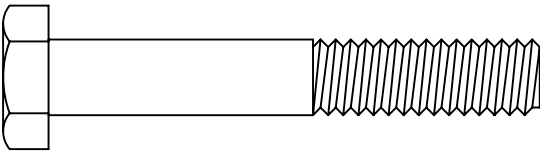
**PART #1**                      **M10X70MM CARRIAGE BOLT**                      **QTY. 6**



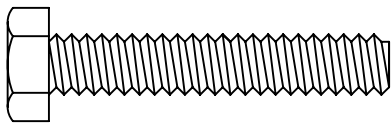
**PART #2**                      **M10X70MM HEX HEAD BOLT**                      **QTY. 6**



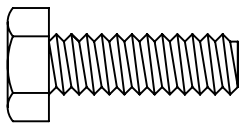
**PART #3**                      **M10X65MM HEX HEAD BOLT**                      **QTY. 8**



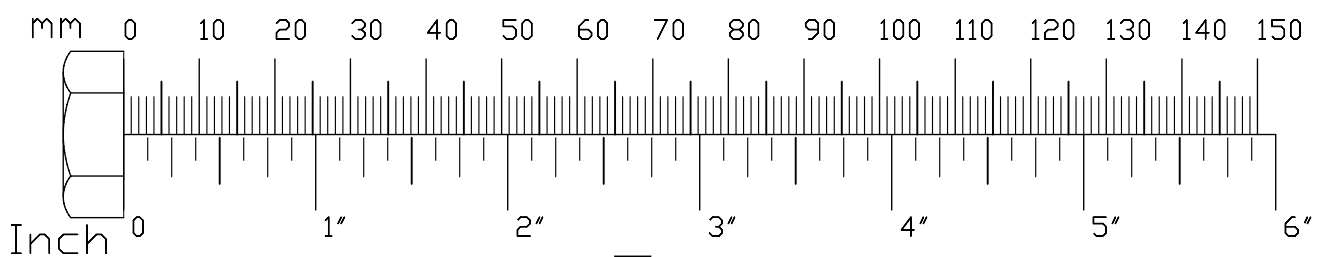
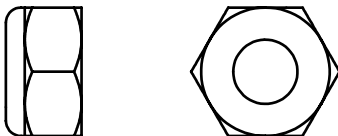
**PART #4**                      **M8X45MM HEX HEAD BOLT**                      **QTY. 4**



**PART #5**                      **M8X25MM HEX HEAD BOLT**                      **QTY. 4**



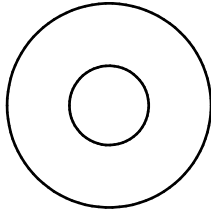
**PART #6**                      **M10 NYLON LOCK NUT**                      **QTY. 12**



# PVLP-156X

## HARDWARE ILLUSTRATION CONT.

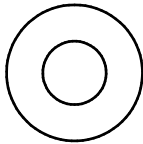
PART #7



M10 WASHER

QTY. 24

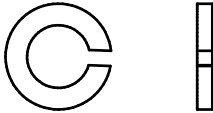
PART #8



M8 WASHER

QTY. 8

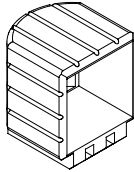
PART #9



M8 SPRING WASHER

QTY. 8

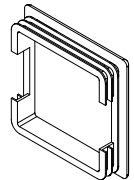
PART #10



2"X2" FOOT GAP

QTY. 5

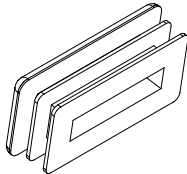
PART #11



2"X2" END CAP

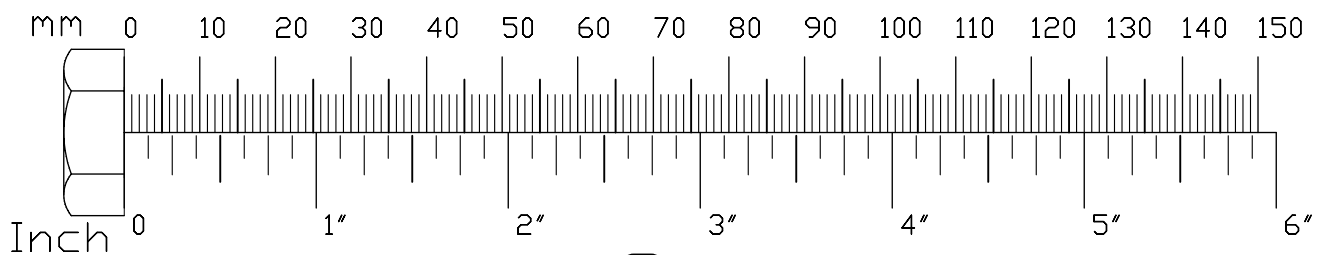
QTY. 2

PART #12



1"X2" END CAP

QTY. 4





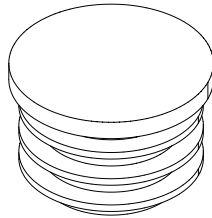
# PVLP-156X

HARDWARE ILLUSTRATION CONT.

PART # 13

1" ROUND END CAP

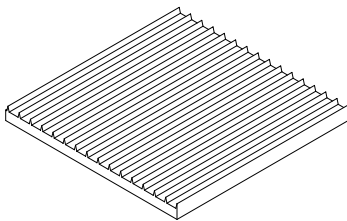
QTY. 3



PART # 14

38X38MM RUBBER BAR CATCH

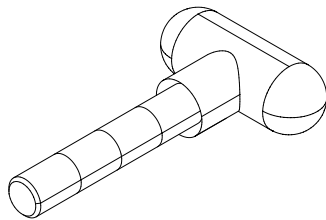
QTY. 6



PART # 15

12X70MM PIN

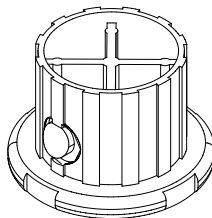
QTY. 2



PART # 16

SMALL BUSHING

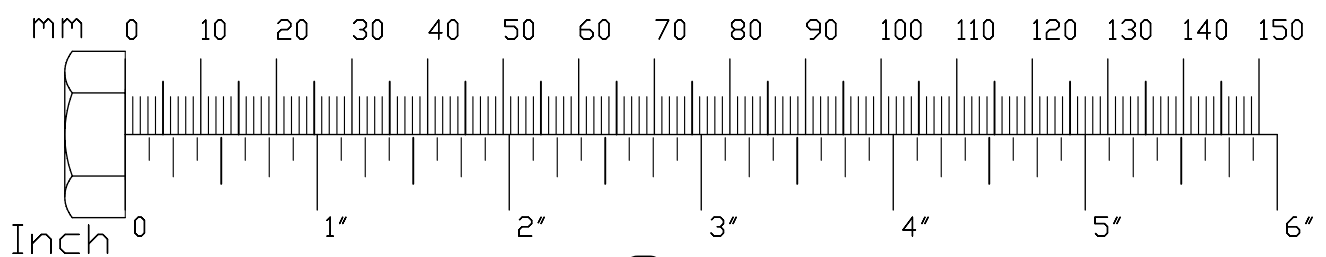
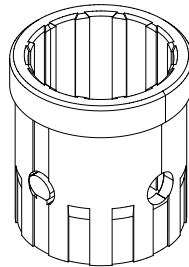
QTY. 2



PART # 17

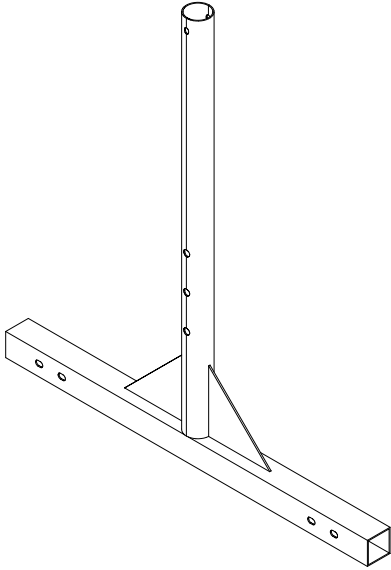
LARGE BUSHING

QTY. 2

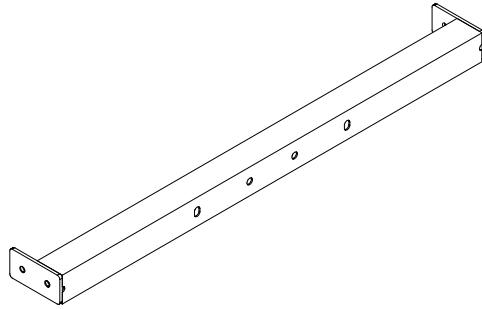


# PVLP-156X

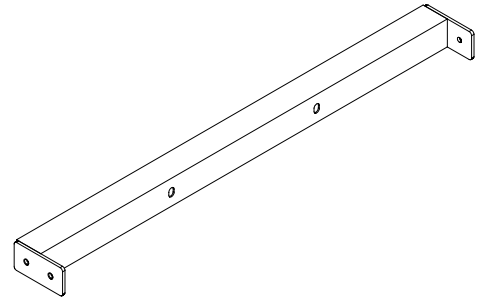
PART LIST



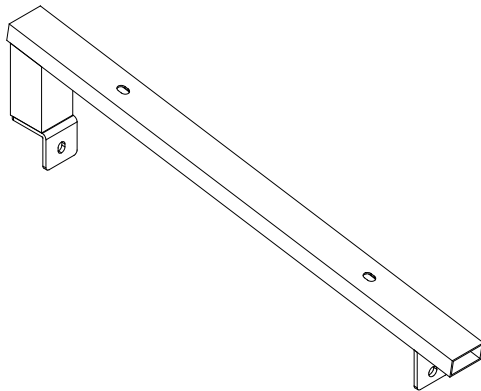
**PART A**  
VERTICAL FRAME  
[2PCS]



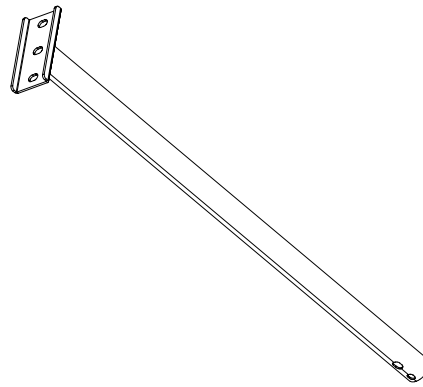
**PART B**  
BASE FRAME  
[1PCS]



**PART C**  
REAR FRAME  
[1PCS]



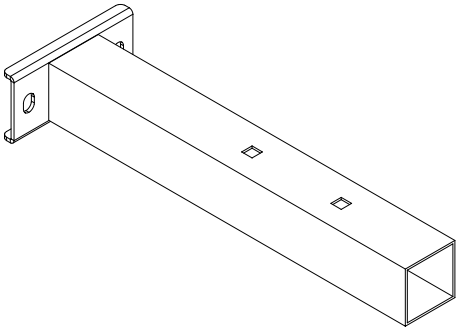
**PART D**  
SUPPORT FRAME  
[2PCS]



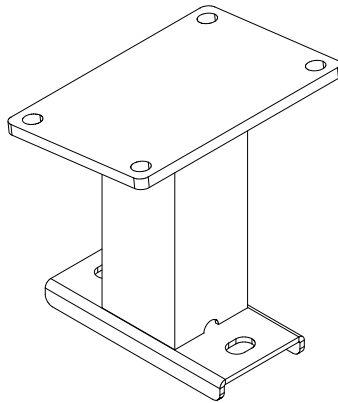
**PART E**  
GUIDE ROD  
[2PCS]

# PVLP-156X

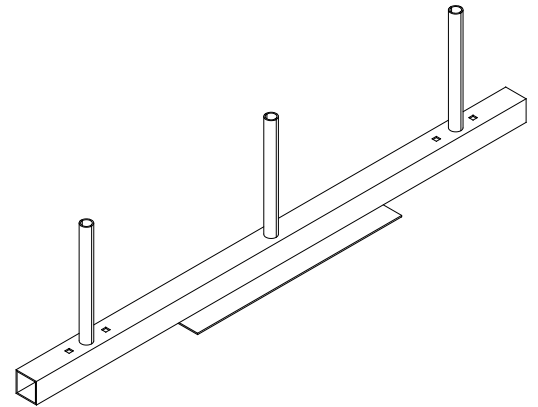
PART LIST



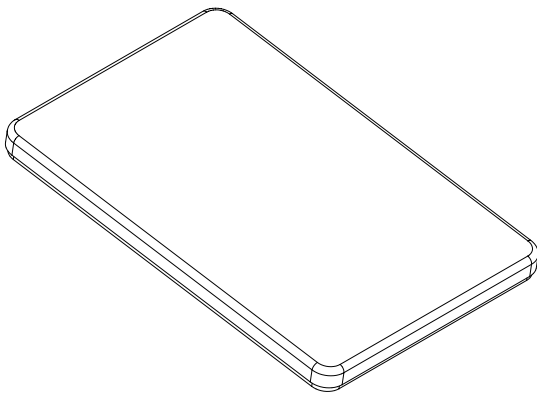
**PART F**  
POST FRAME  
[1 PCS]



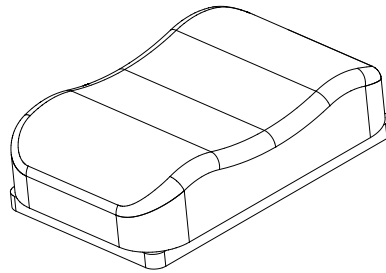
**PART G**  
HEAD FRAME  
[1 PCS]



**PART H**  
WEIGHT FRAME  
[1 PCS]



**PART I**  
BACK PAD  
[1 PCS]



**PART J**  
HEAD PAD  
[1 PCS]

# PVLP-156X

## STEP 1

**BE CAREFUL TO ASSEMBLE ALL COMPONENTS IN THE SEQUENCE THAT THEY ARE PRESENTED.**

**NOTE:**

FINGER TIGHTEN ALL HARDWARE IN THIS STEP. DO NOT WRENCH TIGHTEN UNTIL THE LAST STEP. SOME COMPONENTS MAY BE PRE-ASSEMBLED.

NYLON LOCK NUTS WILL NOT FULLY SCREW ONTO BOLTS, MUST WRENCH TIGHTEN.

**1 A. ATTACH TWO SUPPORT FRAMES (D) TO REAR FRAME (C) USING:**

2 - (#2) M10X70MM HEX HEAD BOLT

4 - (#7) M10 WASHER

2 - (#6) M10 NYLON LOCK NUT

**1 B. ATTACH THE SAME TWO SUPPORT FRAMES (D) TO BASE FRAME (B) USING:**

2 - (#2) M10X70MM HEX HEAD BOLT

4 - (#7) M10 WASHER

2 - (#6) M10 NYLON LOCK NUT

**1 C. ATTACH POST FRAME (F) TO BASE FRAME (B) USING:**

2 - (#2) M10X70MM HEX HEAD BOLT

4 - (#7) M10 WASHER

2 - (#6) M10 NYLON LOCK NUT

**1 D. INSERT END CAPS INTO EACH END OPENING OF BOTH SUPPORT FRAMES (D) USING:**

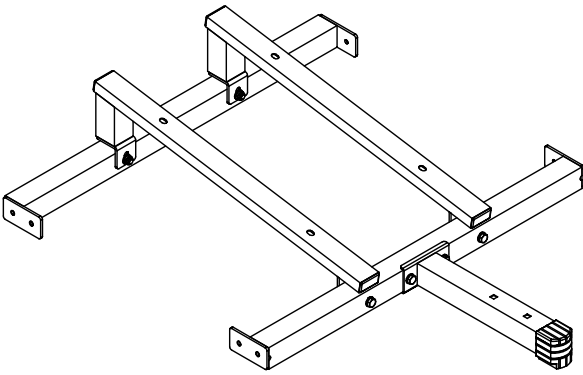
4 - (#12) 1"X2" END CAP

**1 E. INSERT FOOT CAP ONTO END OF POST FRAME (F) USING:**

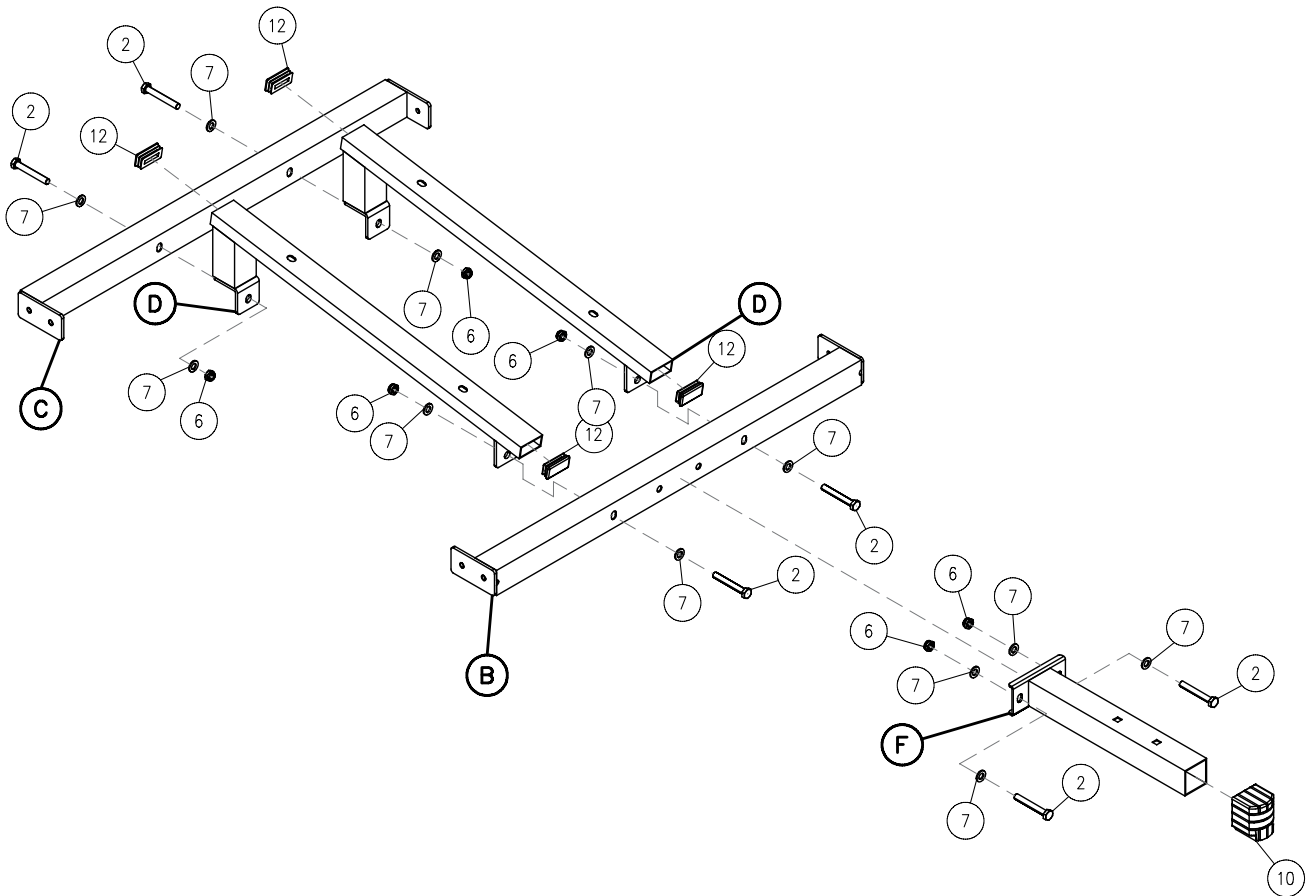
1 - (#10) 2"X2" FOOT CAP

# PVLP-156X

STEP 1



ABOVE SHOWS STEP 1  
ASSEMBLED AND COMPLETED



# PVLP-156X

## STEP 2

**BE CAREFUL TO ASSEMBLE ALL COMPONENTS  
IN THE SEQUENCE THAT THEY ARE PRESENTED.**

**NOTE:**

FINGER TIGHTEN ALL HARDWARE IN THIS STEP. DO NOT WRENCH TIGHTEN  
UNTIL THE LAST STEP. SOME COMPONENTS MAY BE PRE-ASSEMBLED.

NYLON LOCK NUTS WILL NOT FULLY SCREW ONTO BOLTS, MUST WRENCH TIGHTEN.

**2A. ATTACH HEAD FRAME (G) TO POST FRAME (F) USING:**

2 - (#1) M10X70MM CARRIAGE BOLT

2 - (#7) M10 WASHER

2 - (#6) M10 NYLON LOCK NUT

**2B. ATTACH BACK PAD (I) TO BOTH SUPPORT FRAMES (D) USING:**

4 - (#4) M8X45MM HEX HEAD BOLT

4 - (#9) M8 SPRING WASHER

4 - (#8) M8 WASHER

**2C. ATTACH HEAD PAD (J) TO HEAD FRAME (G) USING:**

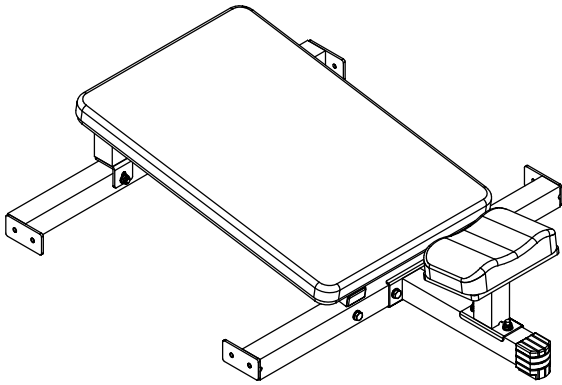
4 - (#5) M8X25MM HEX HEAD BOLT

4 - (#9) M8 SPRING WASHER

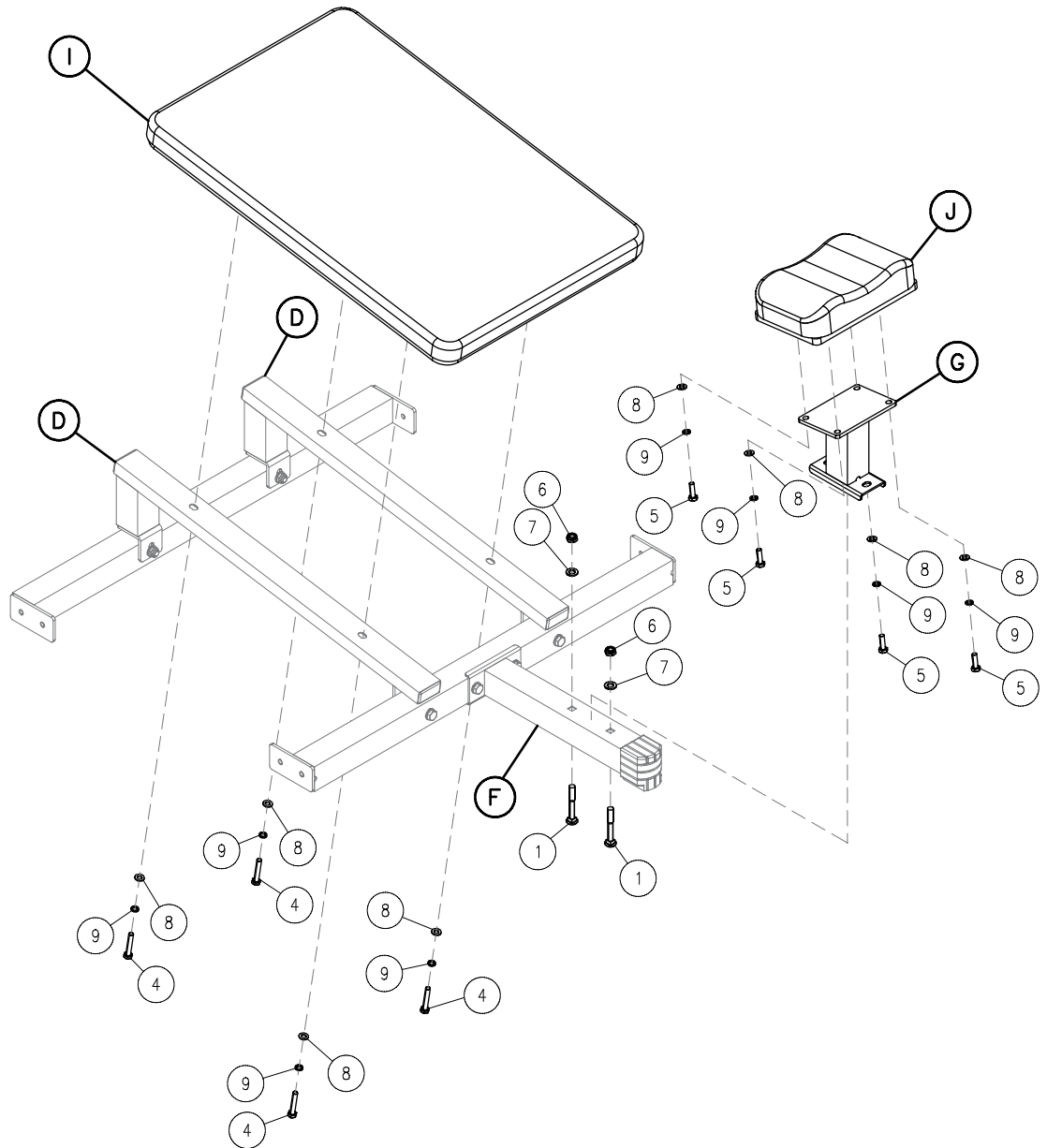
4 - (#8) M8 WASHER

# PVLP-156X

## STEP 2



LEFT SHOWS STEP 2  
ASSEMBLED AND COMPLETED



# PVLP-156X

## STEP 3

**BE CAREFUL TO ASSEMBLE ALL COMPONENTS IN THE SEQUENCE THAT THEY ARE PRESENTED.**

**NOTE:**

FINGER TIGHTEN ALL HARDWARE IN THIS STEP. DO NOT WRENCH TIGHTEN UNTIL THE LAST STEP. SOME COMPONENTS MAY BE PRE-ASSEMBLED.

NYLON LOCK NUTS WILL NOT FULLY SCREW ONTO BOLTS, MUST WRENCH TIGHTEN.

**3A. ATTACH VERTICAL FRAME (A) TO ONE SIDE OF BASE FRAME (B) AND REAR FRAME (C) USING:**

4 - (#3) M10X65MM HEX HEAD BOLT

4 - (#7) M10 WASHER

**3B. ATTACH VERTICAL FRAME (A) TO THE OTHER SIDE OF BASE FRAME (B) AND REAR FRAME (C) USING:**

4 - (#3) M10X65MM HEX HEAD BOLT

4 - (#7) M10 WASHER

**3C. SLIDE A LARGE BUSHING ONTO EACH GUIDE ROD (E), ONCE ON INSERT A SMALL BUSHING INTO THE BOTTOM OPENING OF EACH GUIDE ROD (E) AND THEN INSERT EACH GUIDE ROD (E) INTO EACH VERTICAL FRAME (A) USING:**

2 - (#17) LARGE BUSHING

2 - (#16) SMALL BUSHING

\*NOTE: MAKE SURE ALL HOLES ARE LINED UP.

**3D. INSERT A FOOT CAP ONTO EACH END OF BOTH VERTICAL FRAMES (A) USING:**

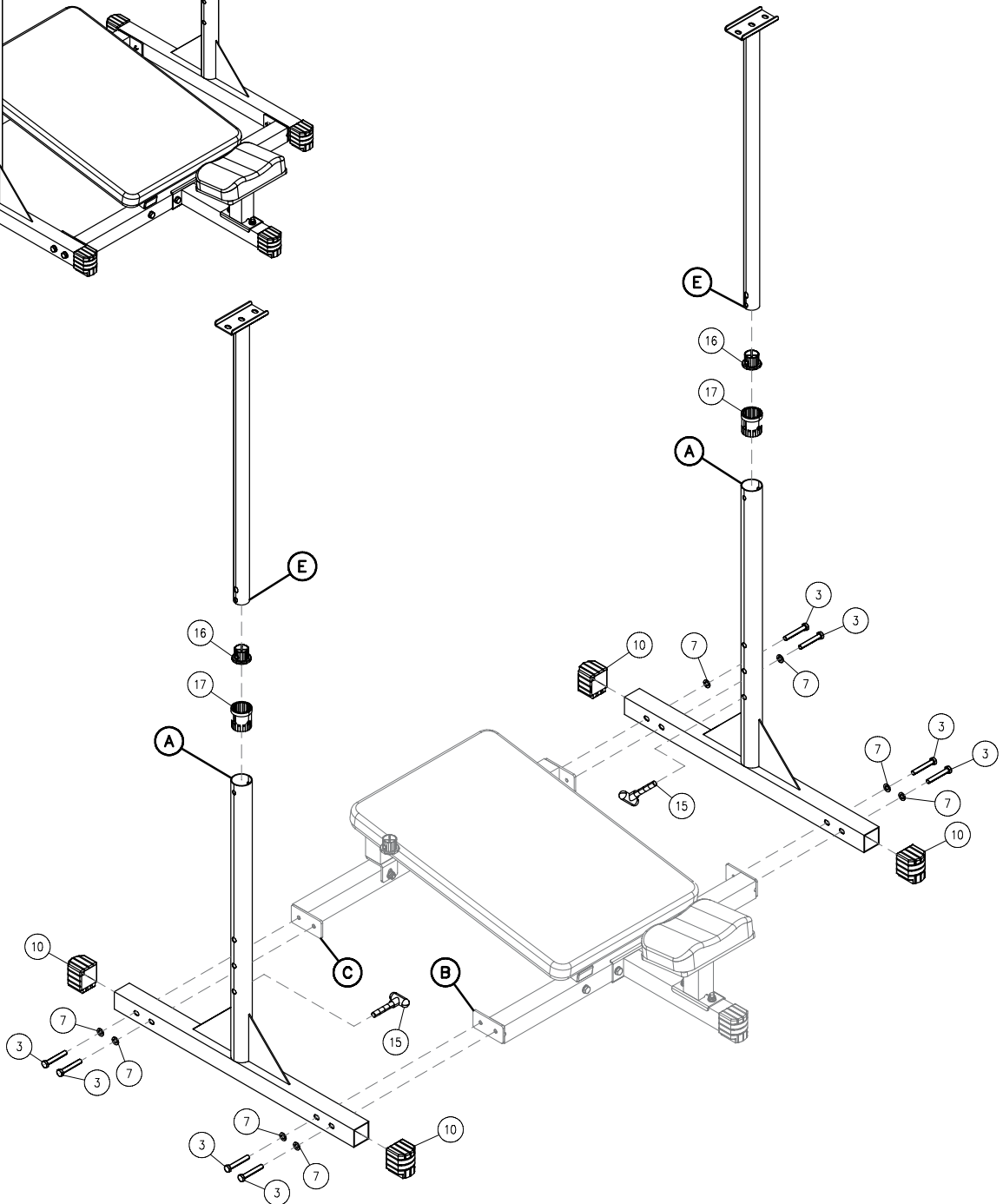
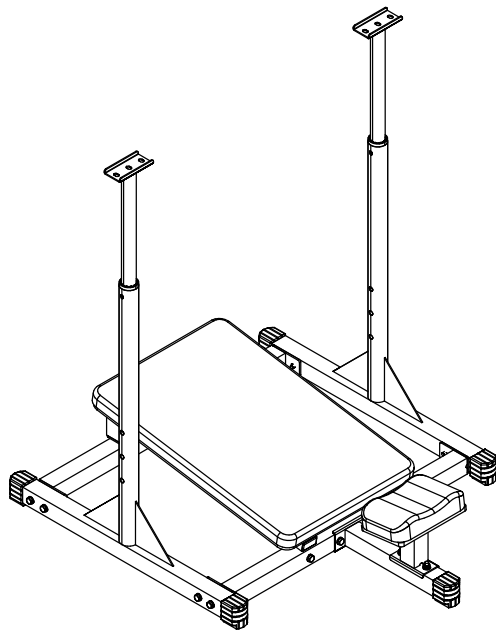
4 - (#10) 2"X2" FOOT CAP



# PVLP-156X

## STEP 3

LEFT SHOWS STEP 3  
ASSEMBLED AND COMPLETED



# PVLP-156X

## STEP 4

**BE CAREFUL TO ASSEMBLE ALL COMPONENTS IN THE SEQUENCE THAT THEY ARE PRESENTED.**

**NOTE:**

FINGER TIGHTEN ALL HARDWARE IN THIS STEP. DO NOT WRENCH TIGHTEN UNTIL THE LAST STEP. SOME COMPONENTS MAY BE PRE-ASSEMBLED.

NYLON LOCK NUTS WILL NOT FULLY SCREW ONTO BOLTS, MUST WRENCH TIGHTEN.

**4A. ATTACH WEIGHT FRAME (H) TO BOTH GUIDE RODS (E) USING:**

4 - (#1) M10X70MM CARRIAGE BOLT

4 - (#7) M10 WASHER

4 - (#6) M10 NYLON LOCK NUT

**4B. INSERT END CAPS INTO EACH END OPENING OF WEIGHT FRAME (H) USING:**

2 - (#11) 2"X2" END CAP

**4C. INSERT ROUND END CAPS INTO EACH WEIGHT POST ON WEIGHT FRAME (H) USING:**

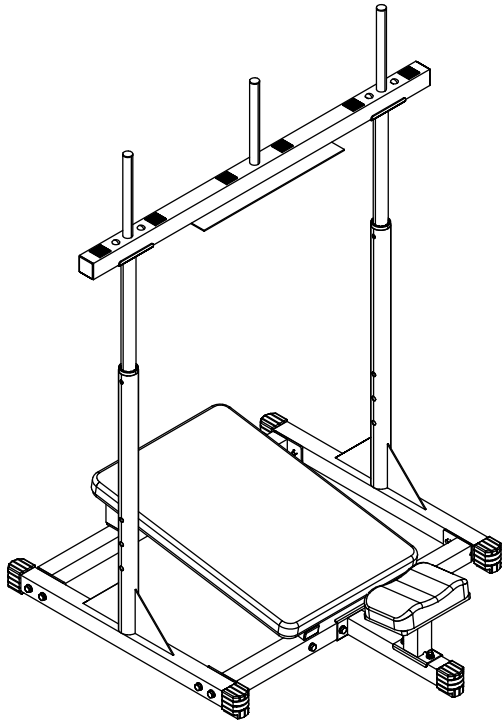
3 - (#13) 1" ROUND END CAP

**4D. ATTACH RUBBER BAR CATCH ABOUT THREE INCHES AWAY FROM BOTH SIDES OF EACH WEIGHT POST ON WEIGHT FRAME (H) USING:**

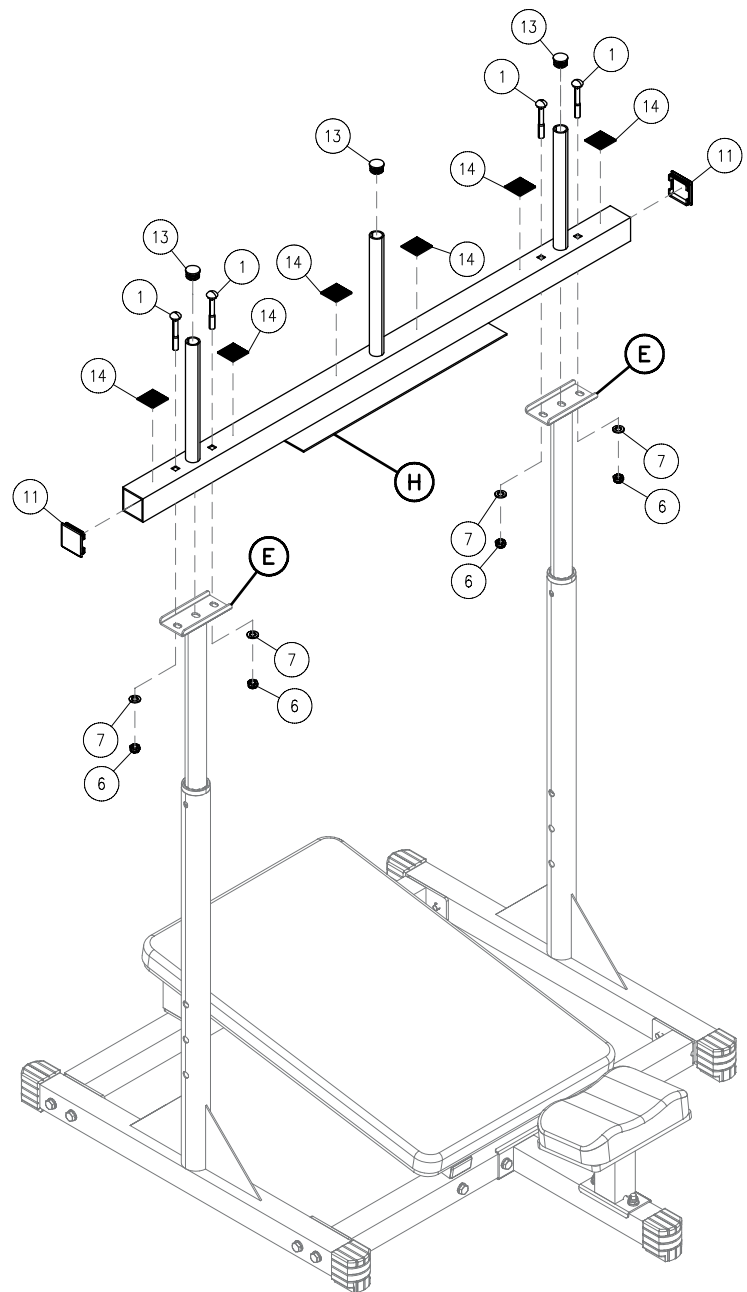
6 - (#14) 38X38MM RUBBER BAR CATCH

# PVLP-156X

## STEP 4



ABOVE SHOWS STEP 4  
ASSEMBLED AND COMPLETED





# PVLP-156X

NOTES



**PVLP-156X**

PLEASE WRITE YOUR SERIAL NUMBER IN THE BOXES BELOW

S/N #       -   -   -     -

*Body-Solid*®  
Built for Life

1900 S. DES PLAINES AVE.  
FOREST PARK, IL 60130  
PHONE:(708)427-3555  
FAX:(708)427-3556  
HOURS: M-F 8:30 - 5:00 CST

[www.bodysolid.com](http://www.bodysolid.com)

The card has a black top section with the logo and a grey bottom section with contact information. The text is white and black.

© Copyright 2011. Body-Solid. All rights reserved. Body-Solid reserves the right to change design and specifications when we feel it will improve the product. Body-Solid machines maintain several patented and patent pending features and designs. All rights reserved on all design patents and utility patents.