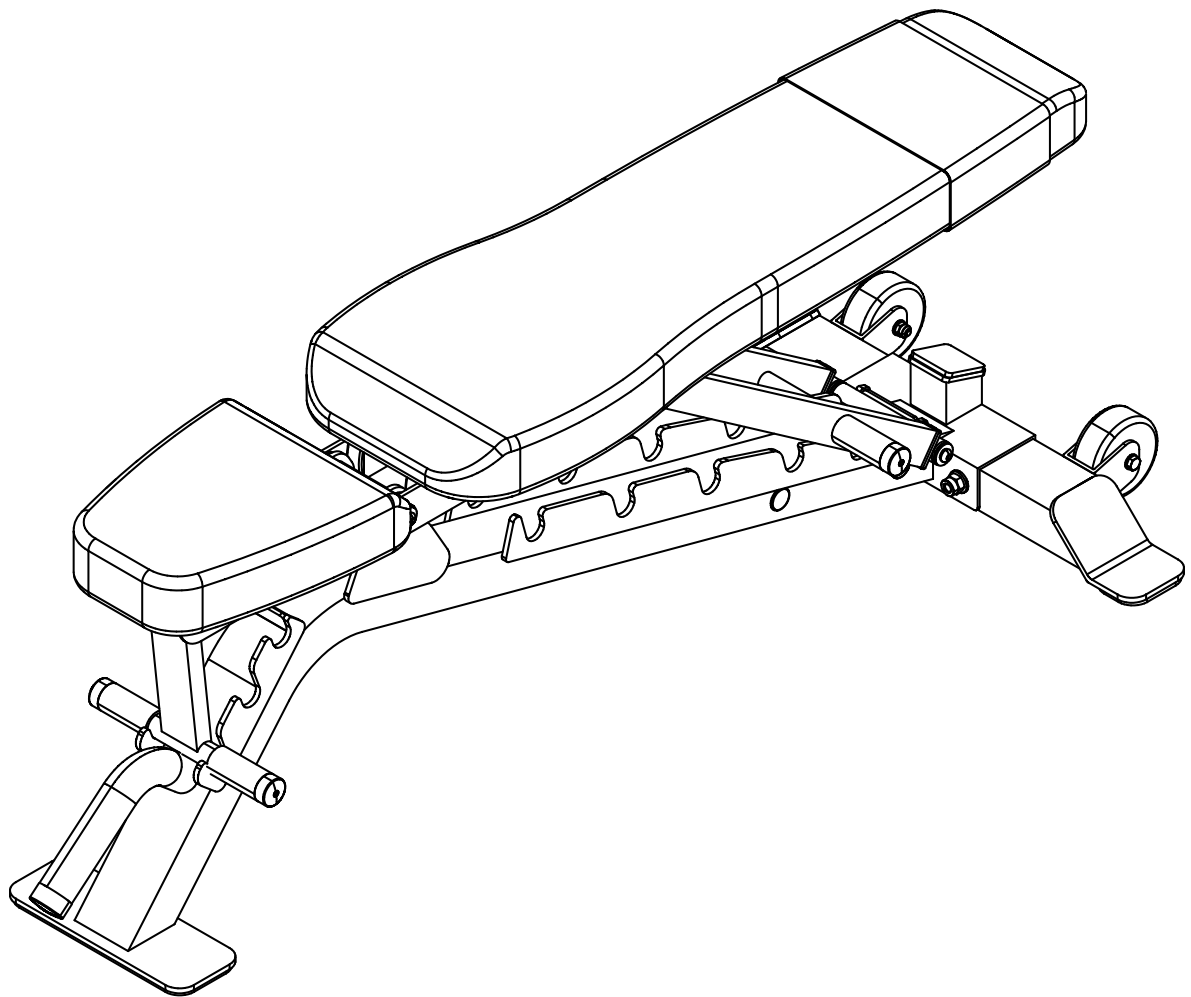


Body-Solid[®]
Built for Life

SFID325



Assembly

Instructions

OWNER'S & MANUAL

030716-V21

STEP**1****Be careful to assemble all components in the sequence they are presented.****NOTE:**

Finger tighten all hardware in this step. Do Not wrench tighten until end of step 2.

A. Attach rear leg (C) to mainframe (A) as shown using:

two 18 (Hex Bolt M12 X 105mm)

four 23 (Flat Washer 12mm)

two 27 (Nylon Lock Nut M12)

B. Attach two End Cap (16) to Back Pad Support structure (B) handle as shown using:

two 16 (End Cap Ø25)

two 29 (spring washer 6mm)

C. Attach two End Cap (16) to Seat Support Structure (D) handle as shown using:

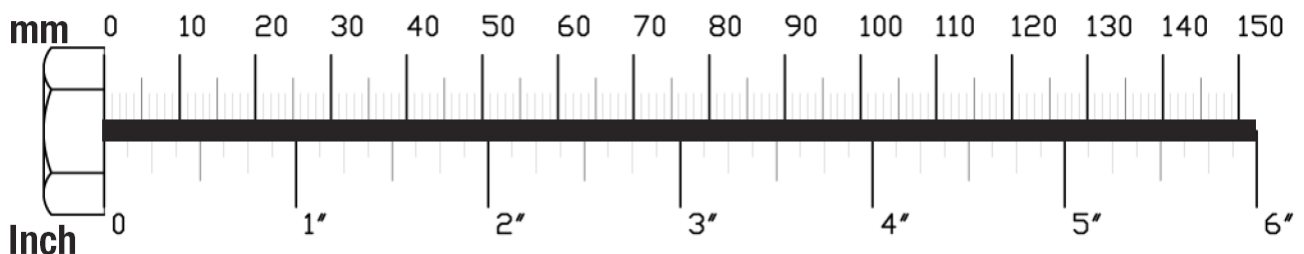
two 16 (End Cap Ø25)

two 29 (spring washer 6mm)

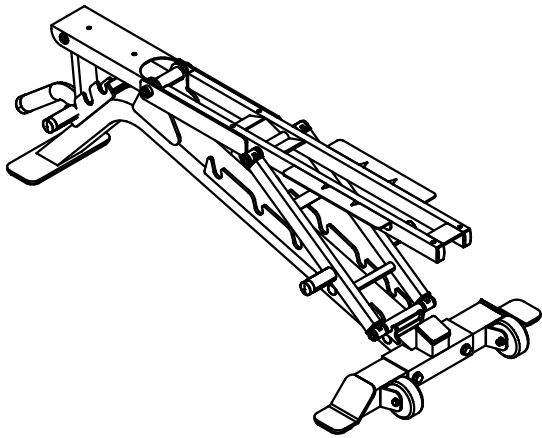
D. Attach two End Cap (17) to mainframe (A) front handle as shown using:

one 17 (End Cap Ø30)

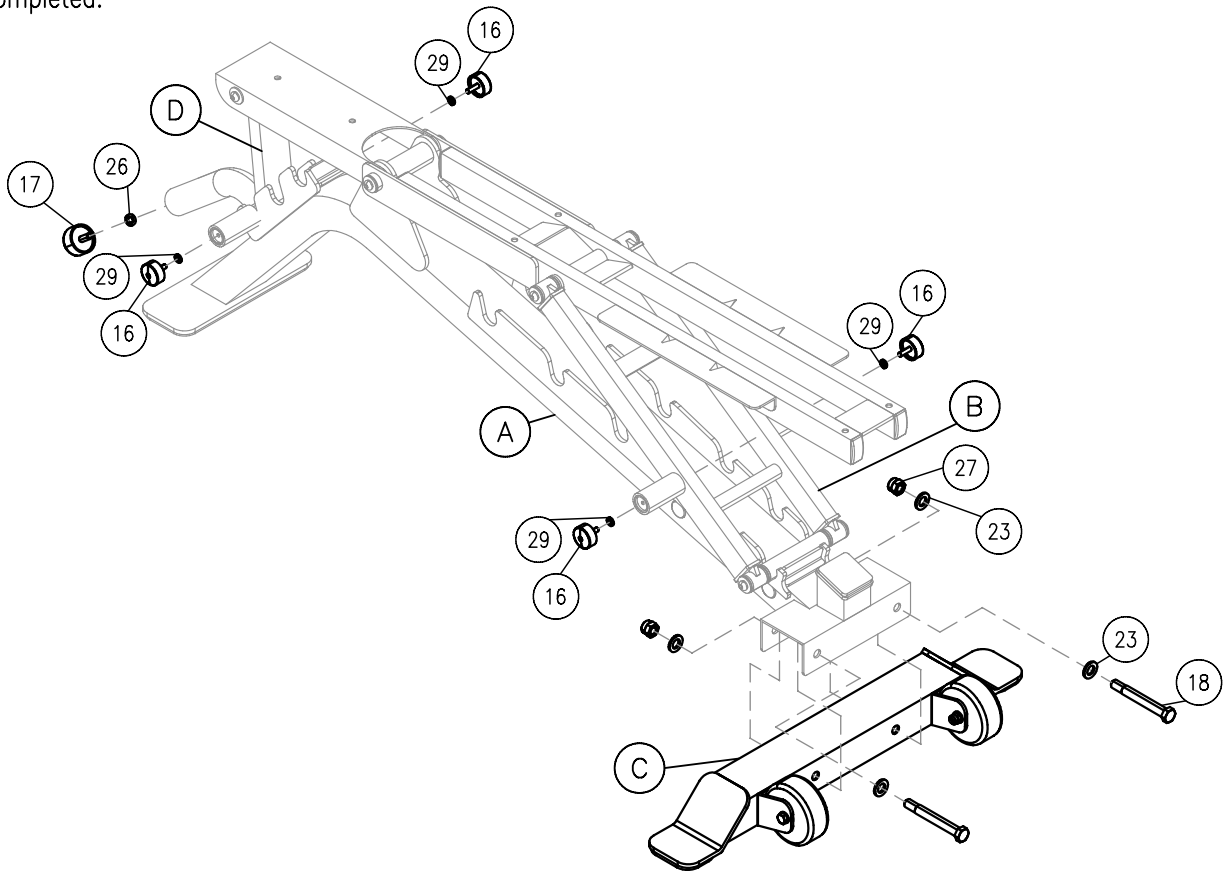
one 26 (spring washer 8mm)



STEP
1



Above shows STEP 1 assembled and completed.



STEP

2

Be careful to assemble all components in the sequence they are presented.

NOTE:

Finger tighten all hardware in this step. Do Not wrench tighten until end of step 2.

A. Attach Back Pad (8) with Pad Wrap (9) to Back Pad Structure (E) as shown using:

four 20 (hex bolt M8 x 55 mm)

four 26 (spring washer 8mm)

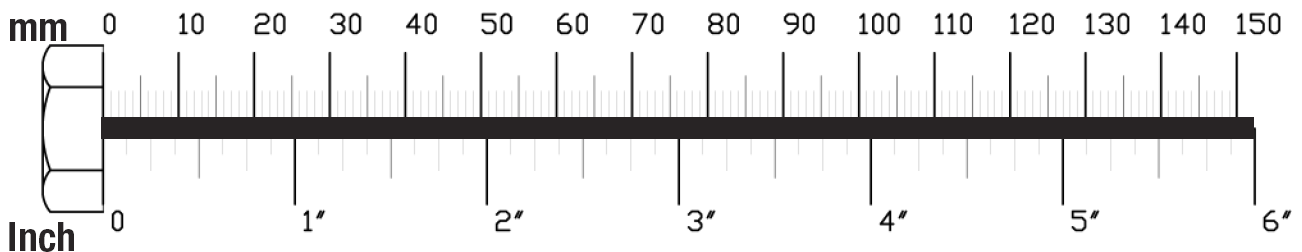
four 25 (flat washer 8mm)

B. Attach Seat Pad (7) to Seat Pad Structure (F) as shown using:

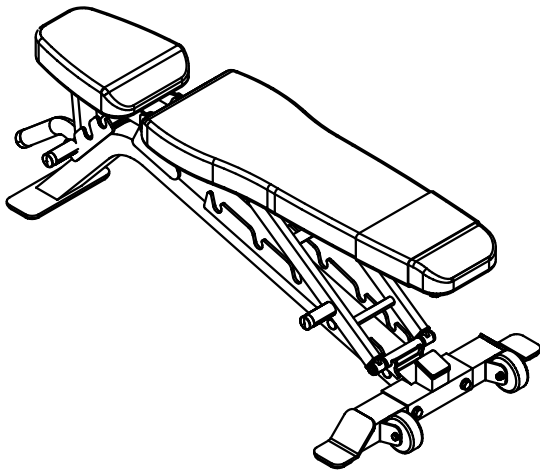
two 21 (hex bolt M8 x 21 mm)

two 26 (spring washer 8mm)

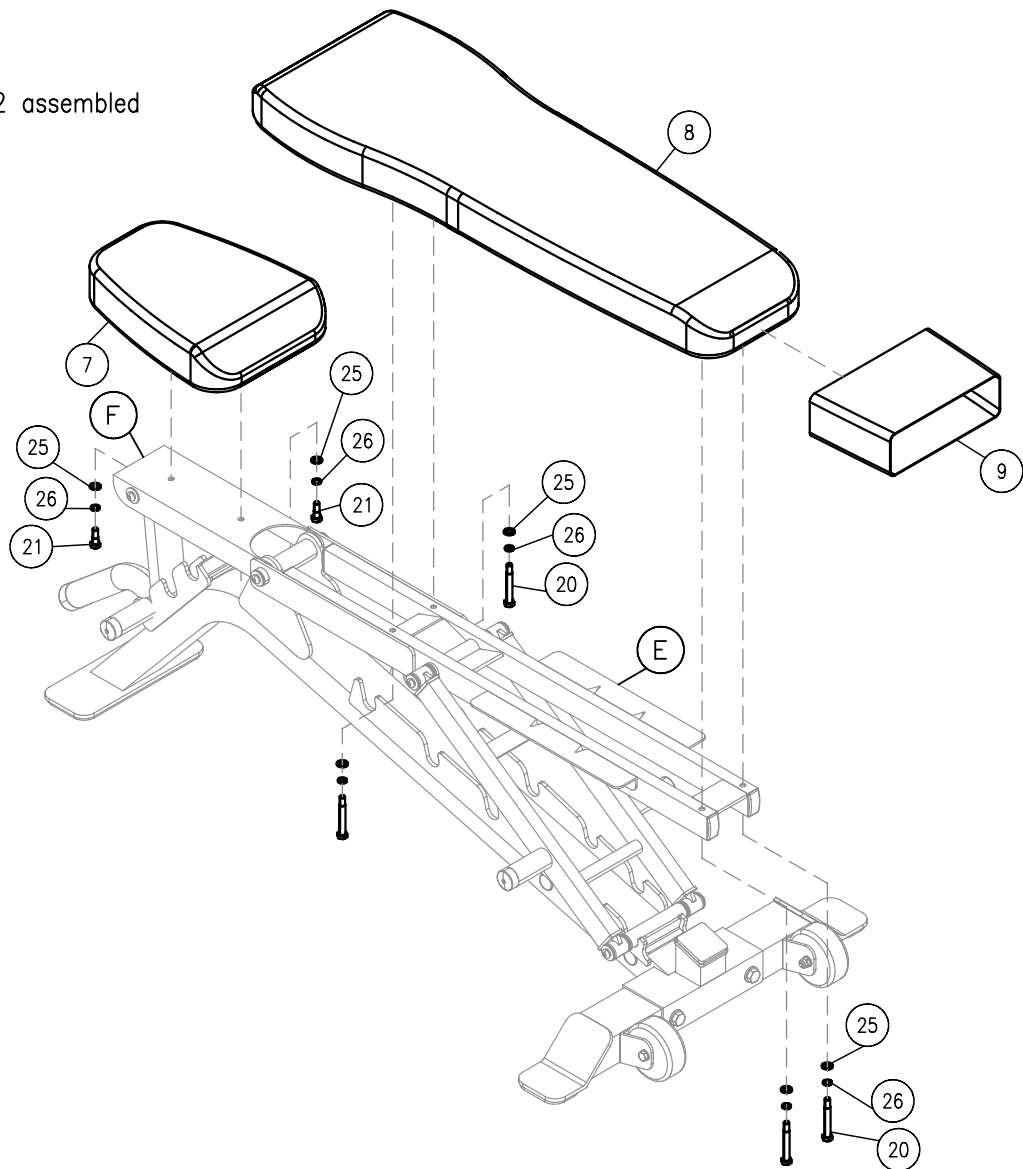
two 25 (flat washer 8mm)



STEP
2

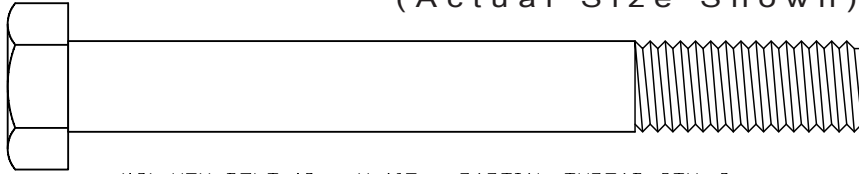


Above shows STEP 2 assembled and completed.

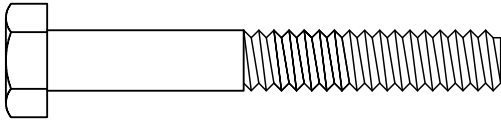


S F I D 3 2 5 Hardware

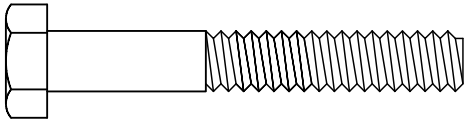
(Actual Size Shown)



(18) HEX BOLT 12mm X 105mm PARTIAL THREAD QTY. 2



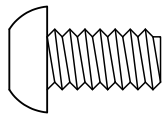
(19) HEX BOLT M8 X 60mm PARTIAL THREAD QTY. 2



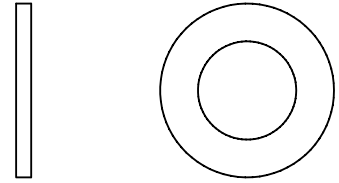
(20) HEX BOLT M8 X 55mm PARTIAL THREAD QTY. 4



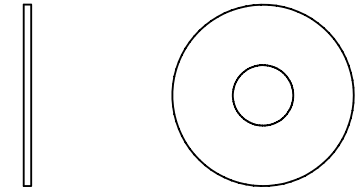
(21) HEX BOLT M8 X 25mm PARTIAL THREAD QTY. 2



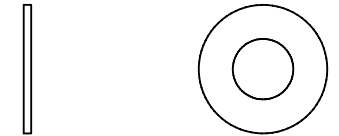
(22) ROUND ALLEN HEAD M8 X 15mm FULL THREAD BOLT QTY. 8



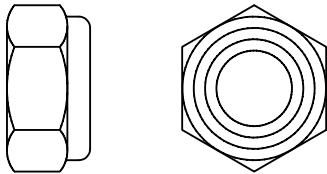
(23) FLAT WASHER 12mm QTY.4



(24) BIG FLAT WASHER 8mm QTY. 8



(25) FLAT WASHER 8mm QTY. 10



(27) NYLON LOCK NUT 12mm QTY. 2



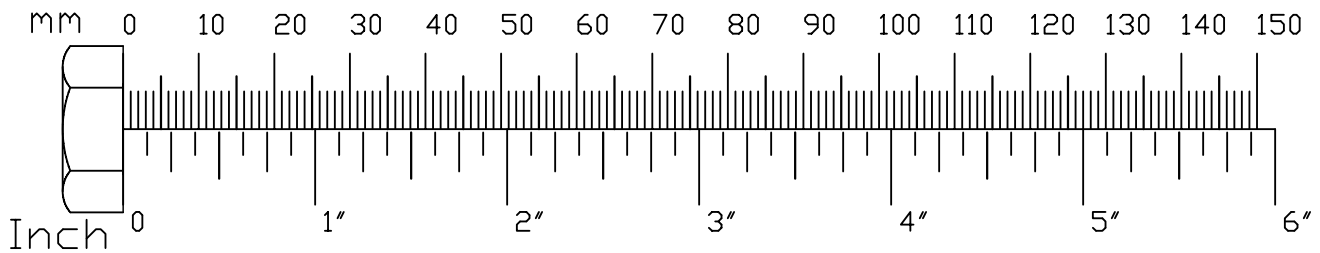
(26) SPRING WASHER 8mm QTY. 15



(28) NYLON LOCK NUT 8mm QTY. 2



(29) SPRING WASHER 8mm QTY. 4



Mainframe Parts List

Part#	Qty	Description
1	2	shaft
2	4	Long Bushing
3	10	Short Bushing
4	2	Bushing Φ 30
5	1	Seat Pad Structure Shaft
6	1	Main Pivot Shaft
7	1	Seat Pad
8	1	Back Pad
9	1	Pad Wrap
10	1	Back Frame Support Tubing
11	2	Back Pad Structure End Cap
12	2	Transfer Wheel
13	1	Front Handle Foam Grip
14	4	Side Handle Foam Grip
15	4	Plug
16	4	End Cap Φ 25
17	1	End Cap Φ 30
18	2	Hex Bolt M12 X 105mm
19	2	Hex Bolt M8 X 60mm
20	4	Hex Bolt M8 X 55mm
21	2	Hex Bolt M8 X 25mm
22	8	Round Allen Head Bolt M8 X 15mm
23	4	Flat Washer 12mm
24	8	Big Flat Washer 8mm
25	10	Flat Washer 8mm
26	14	Spring Washer 8mm
27	2	Nylon Lock Nut M12
28	2	Nylon Lock Nut M8
29	4	Spring Washer 6mm
30	1	Spring Washer 10mm
31	1	Round Allen Head Bolt M10 X 20mm
32	1	Back Pad Rubber Stopper
A	1	Bottom Frame
B	1	Rear Frame
C	1	Rear Leg
D	1	Seat Pad Support Frame
E	1	Back Pad Frame
F	1	Seat Pad Board

NOTE

Body-Solid®
Built for Life

1900 S. Des Plaines Ave.
Forest Park, IL 60130
1 (800) 556-3113
Hours: M-F 8:30 - 5:00

www.bodysolid.com

© Copyright 2010. Body-Solid. All rights reserved. Body-Solid reserves the right to change design and specifications when we feel it will improve the product. Body-Solid machines maintain several patented and patent pending features and designs. All rights reserved on all design patents and utility patents.